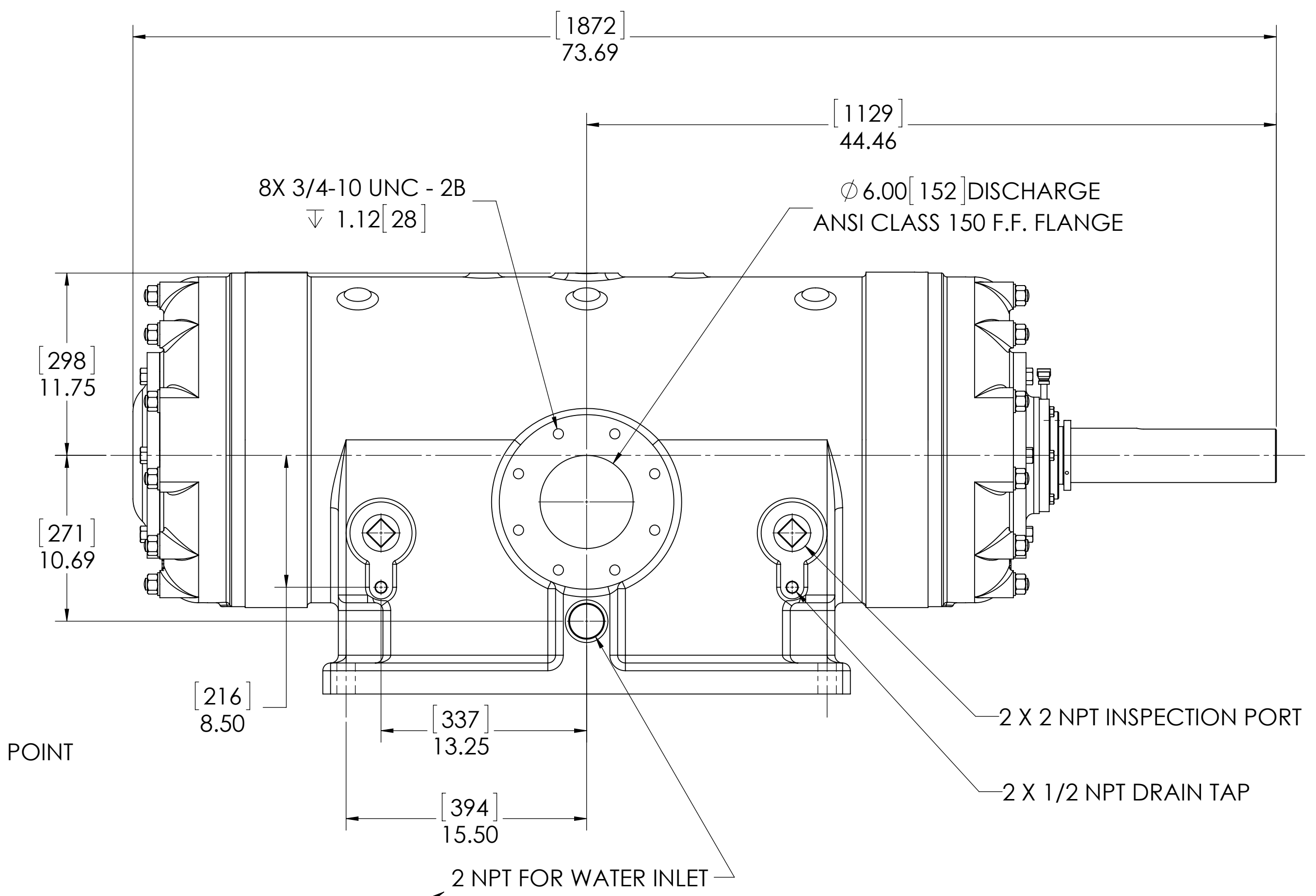
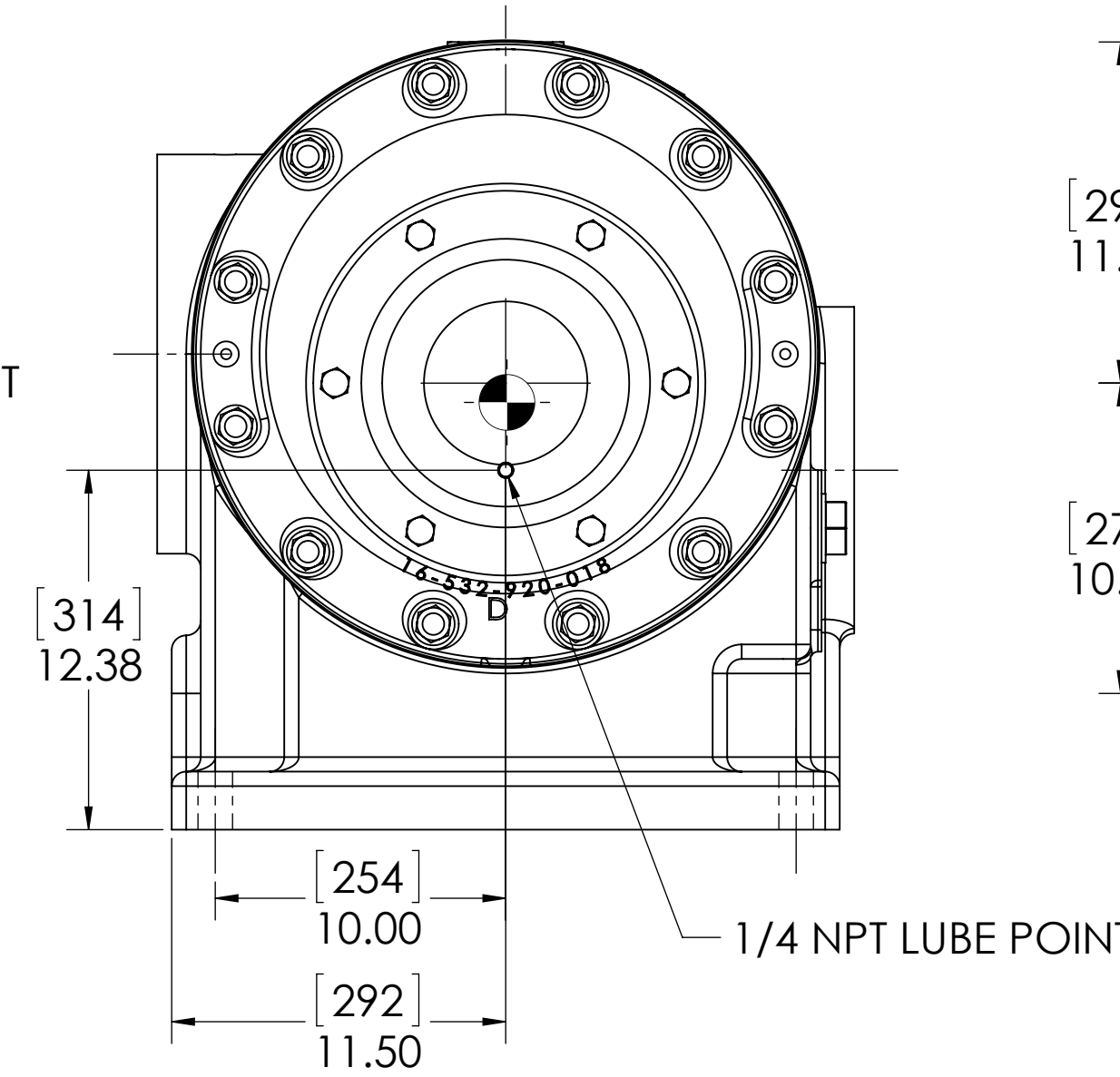
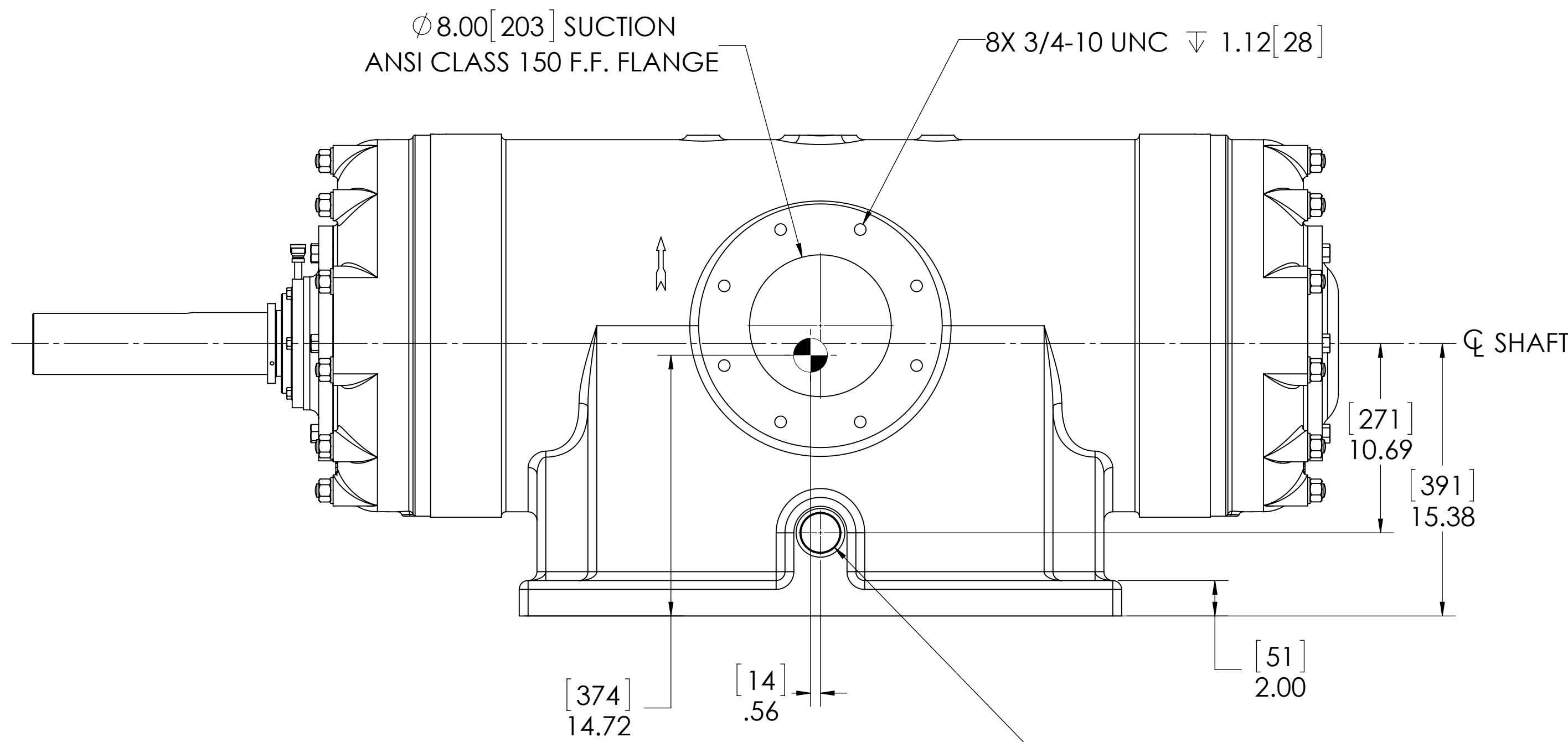
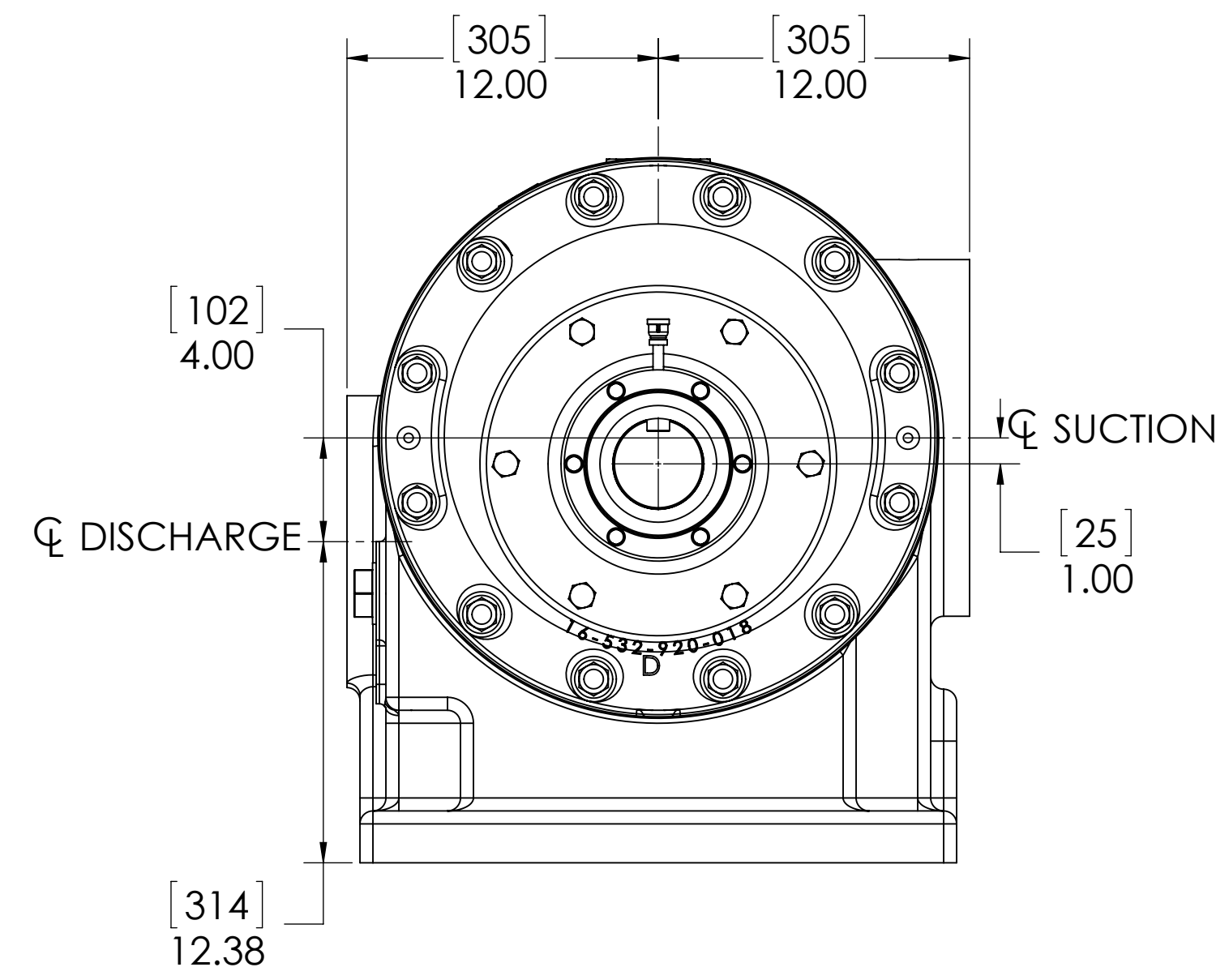
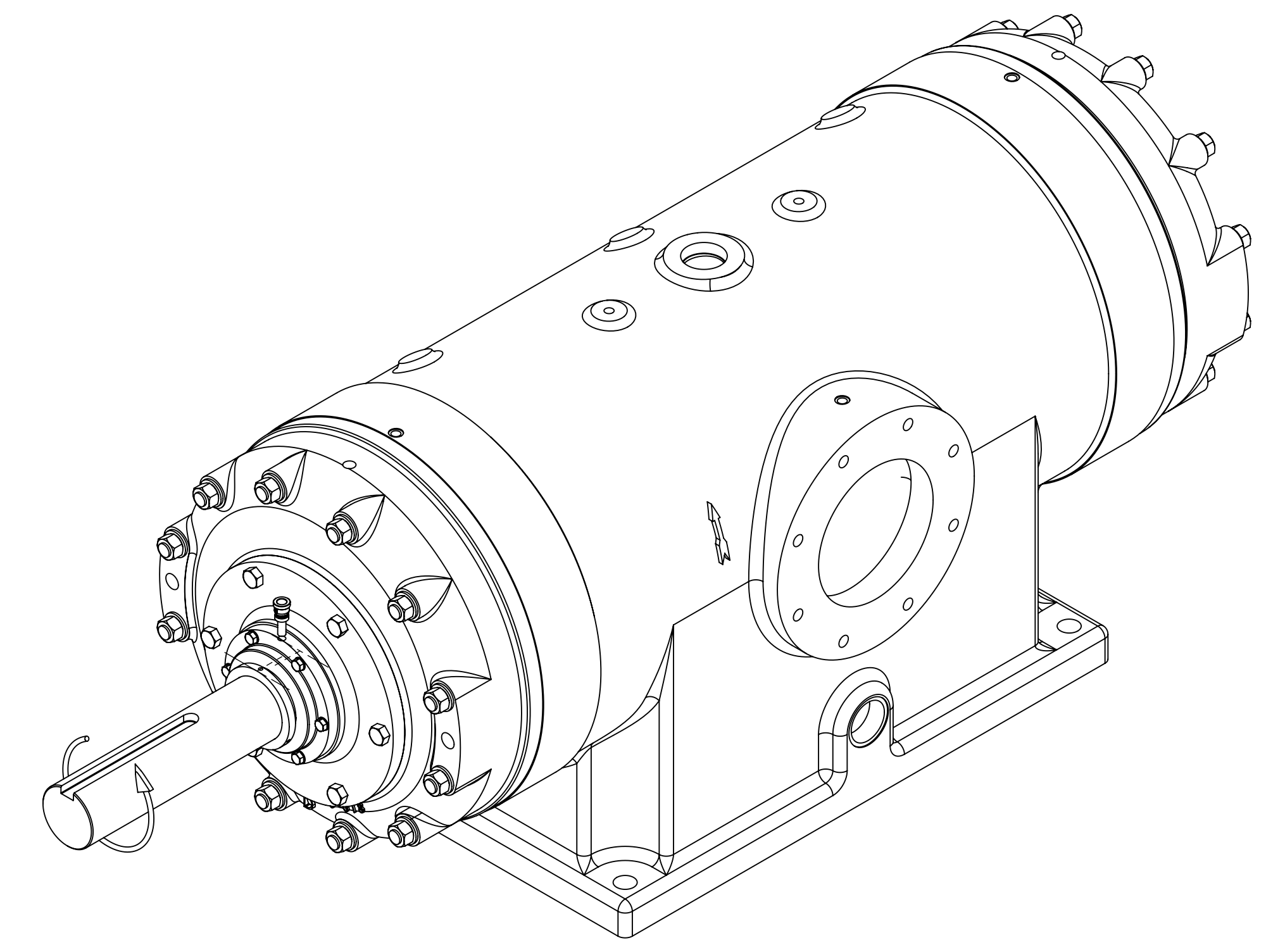
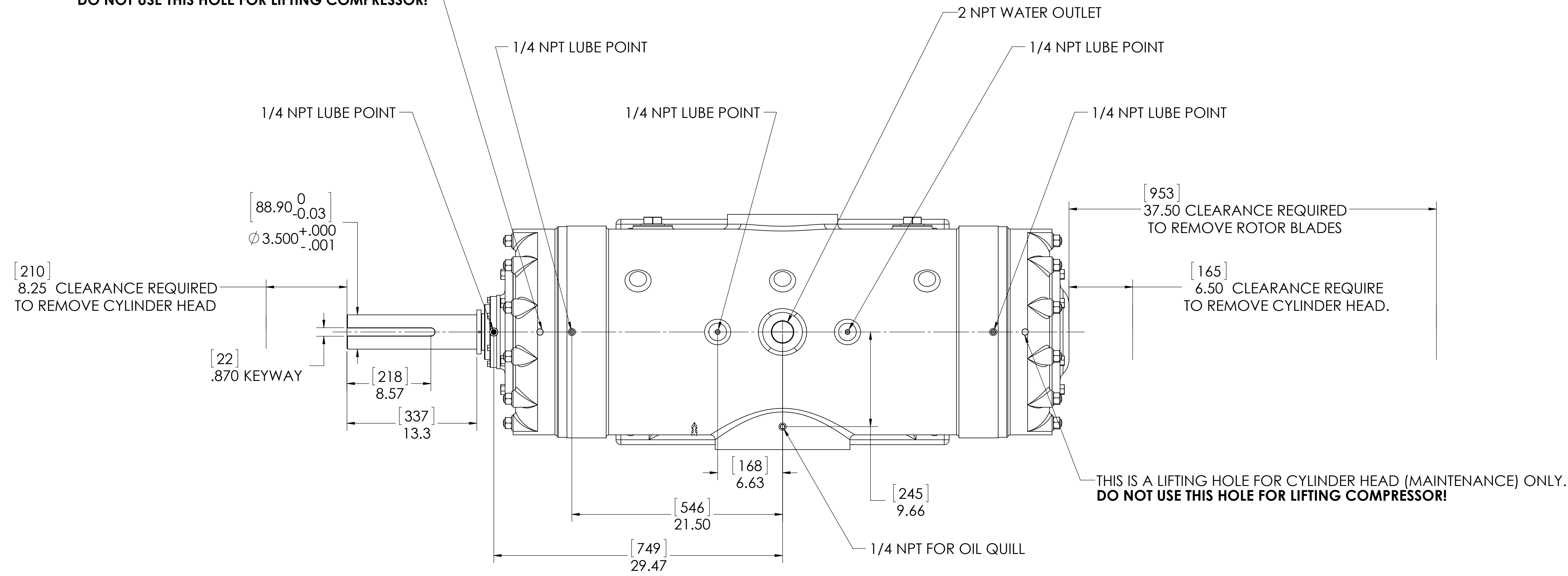
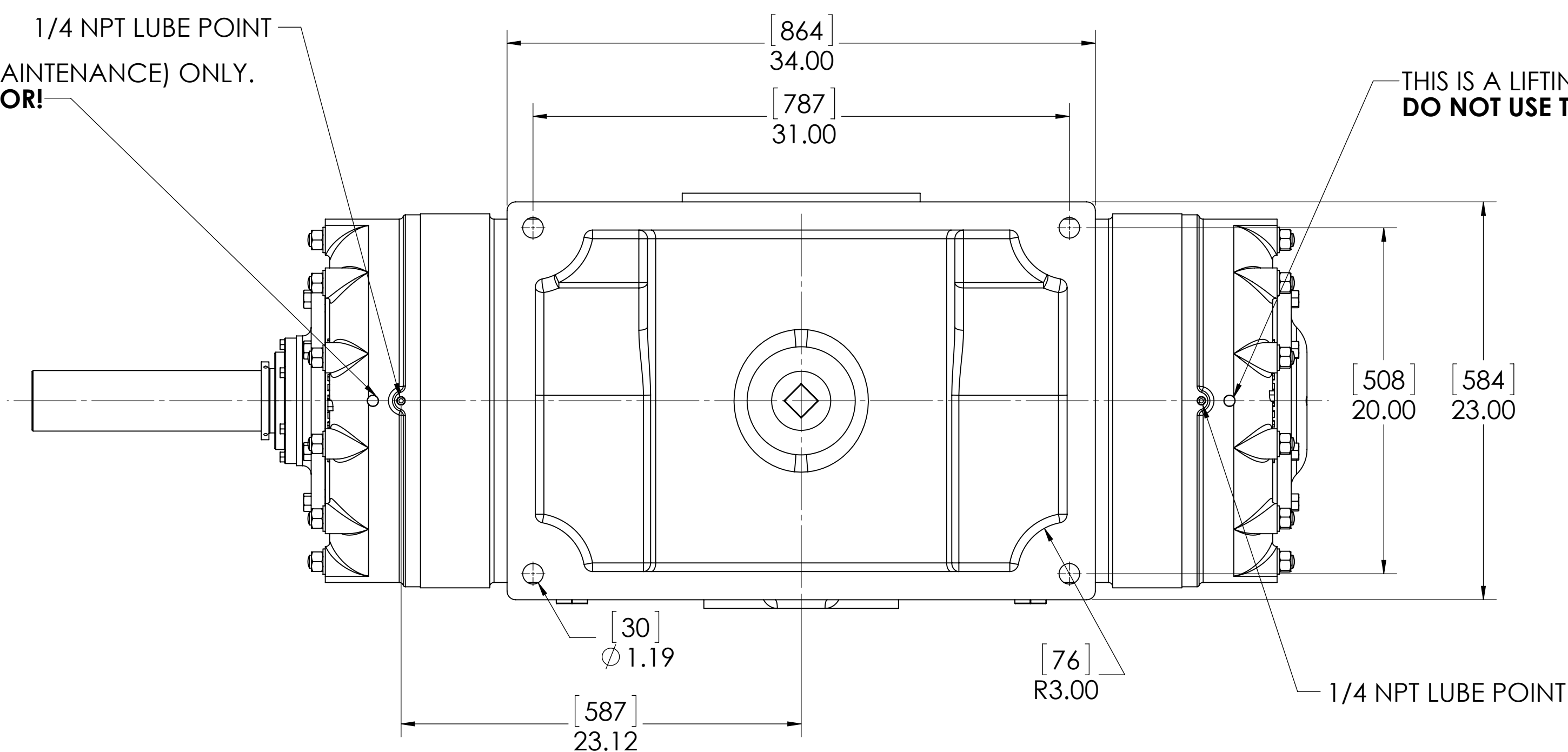


THIS IS A LIFTING HOLE FOR CYLINDER HEAD (MAINTENANCE) ONLY.
DO NOT USE THIS HOLE FOR LIFTING COMPRESSOR!



USE EITHER CONNECTION TO SUIT

THIS IS A LIFTING HOLE FOR CYLINDER HEAD (MAINTENANCE) ONLY.
DO NOT USE THIS HOLE FOR LIFTING COMPRESSOR!



THIS IS A LIFTING HOLE FOR CYLINDER HEAD (MAINTENANCE) ONLY.
DO NOT USE THIS HOLE FOR LIFTING COMPRESSOR!

NOTES:

1. CENTER OF MASS DIMENSIONS ARE APPROXIMATE
2. EITHER WATER INLET MAY BE USED, DEPENDING UPON SYSTEM NEEDS
3. WEIGHT IS APPROXIMATE

OIL CONNECTION POINTS SUMMARY		
(REFER TO MANUAL FOR FURTHER INFORMATION)		
DESCRIPTION	THREAD SIZE	QTY
OIL QUILL	1/4 NPT	1
LUBE POINTS	1/4 NPT	8
SEAL SUPPLY	NONE	NONE
SEAL RETURN	NONE	NONE

UNLESS OTHERWISE SPECIFIED: DIMENSIONS ARE IN INCHES TOLERANCES: ANGULAR MATCH 1:100 SURFACE FINISH 125 HOLE PLACE DECIMAL 1.00 HOLE PLACE DECIMAL 1.00 HOLE PLACE DECIMAL 1.00	<table border="1"> <tr> <th>NAME</th> <th>DATE</th> </tr> <tr> <td>DESIGNED BY</td> <td>2/13/2015</td> </tr> <tr> <td>CHECKED BY</td> <td>2/13/2015</td> </tr> <tr> <td>ENG APPR BY</td> <td>2/13/2015</td> </tr> </table>	NAME	DATE	DESIGNED BY	2/13/2015	CHECKED BY	2/13/2015	ENG APPR BY	2/13/2015							
NAME	DATE															
DESIGNED BY	2/13/2015															
CHECKED BY	2/13/2015															
ENG APPR BY	2/13/2015															
PROPERTY AND CONSENT:	TITLE: GA.17LSF.CCW															
UNLESS OTHERWISE SPECIFIED: DIMENSIONS ARE IN INCHES TOLERANCES: ANGULAR MATCH 1:100 SURFACE FINISH 125 HOLE PLACE DECIMAL 1.00 HOLE PLACE DECIMAL 1.00 HOLE PLACE DECIMAL 1.00	<table border="1"> <tr> <th>SIZE</th> <th>PART NO.</th> <th>REV</th> </tr> <tr> <td>E</td> <td>16-123-633-531</td> <td>04</td> </tr> </table>	SIZE	PART NO.	REV	E	16-123-633-531	04	<table border="1"> <tr> <th>SCALE</th> <th>PROJ</th> <th>SHEET</th> <th>OF</th> </tr> <tr> <td>1:6</td> <td>4450#</td> <td>1</td> <td>1</td> </tr> </table>	SCALE	PROJ	SHEET	OF	1:6	4450#	1	1
SIZE	PART NO.	REV														
E	16-123-633-531	04														
SCALE	PROJ	SHEET	OF													
1:6	4450#	1	1													