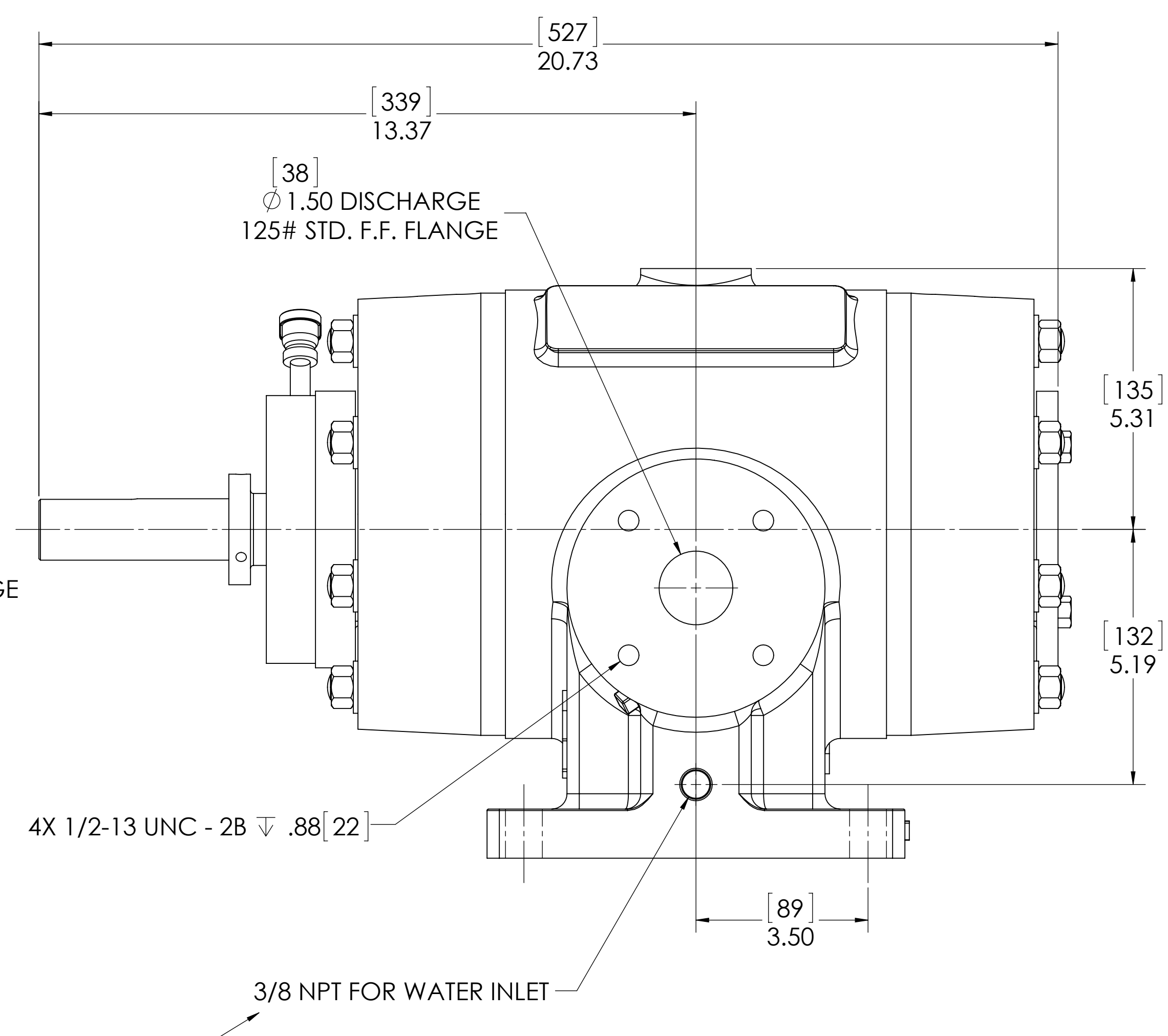
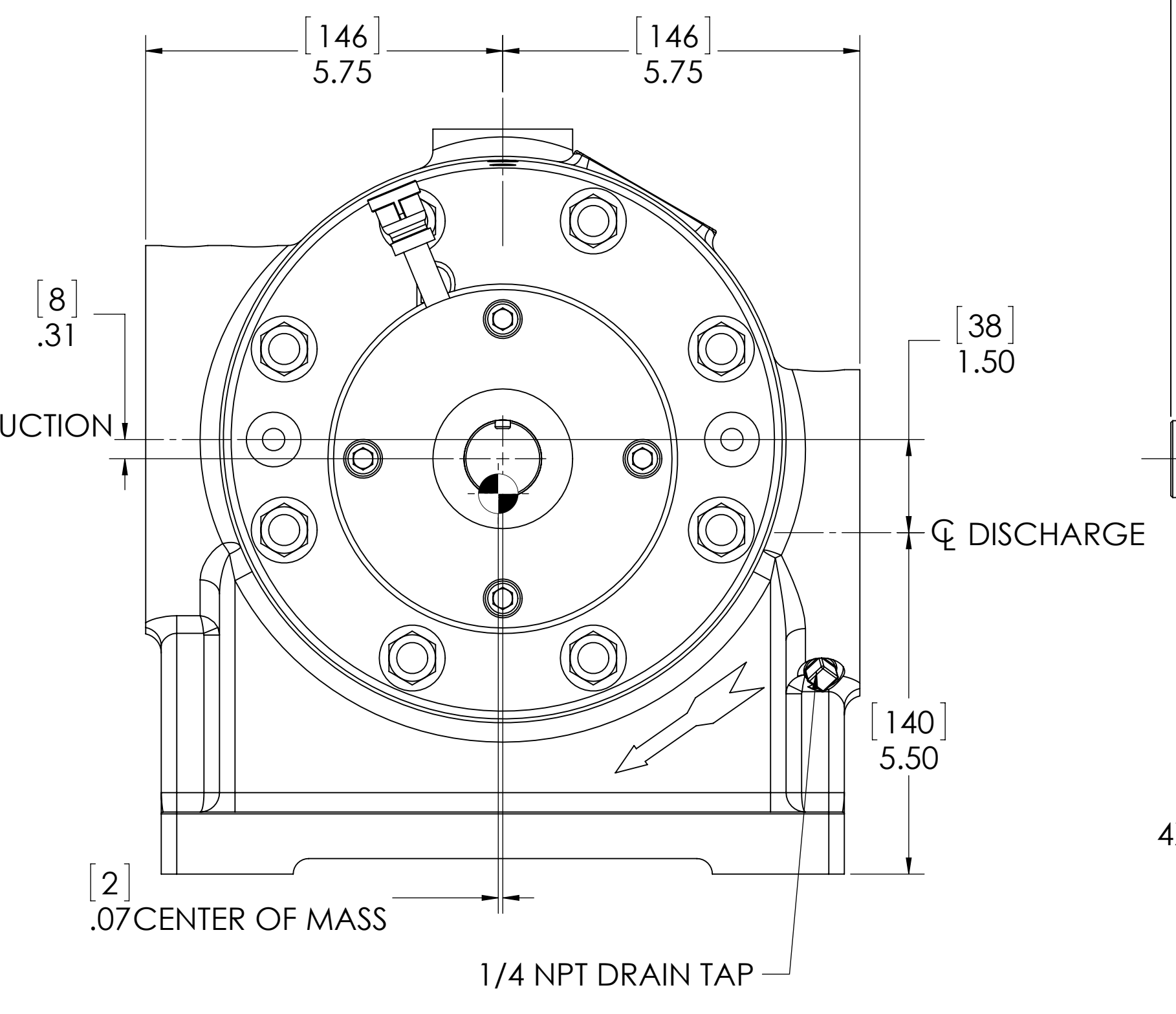
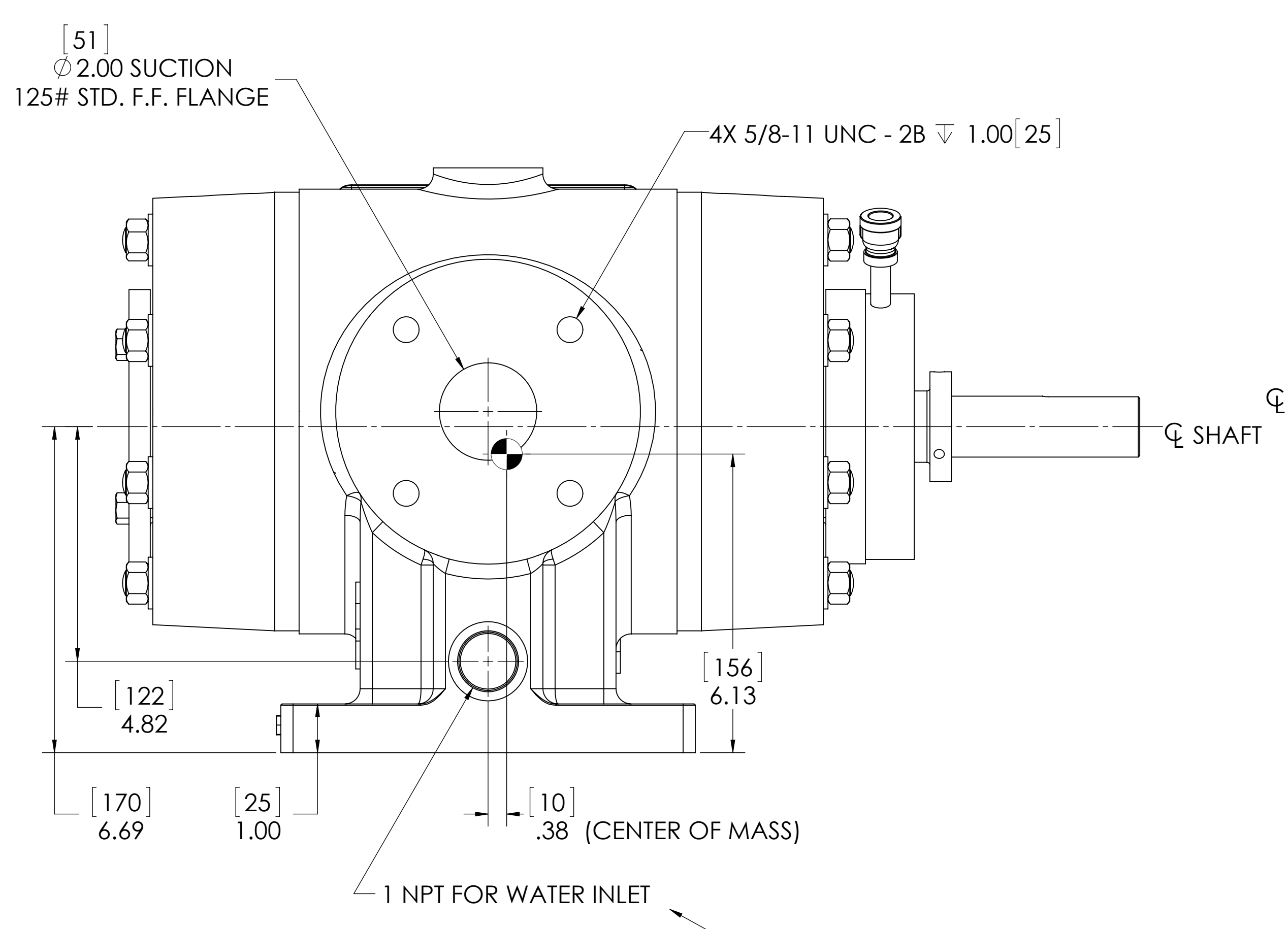
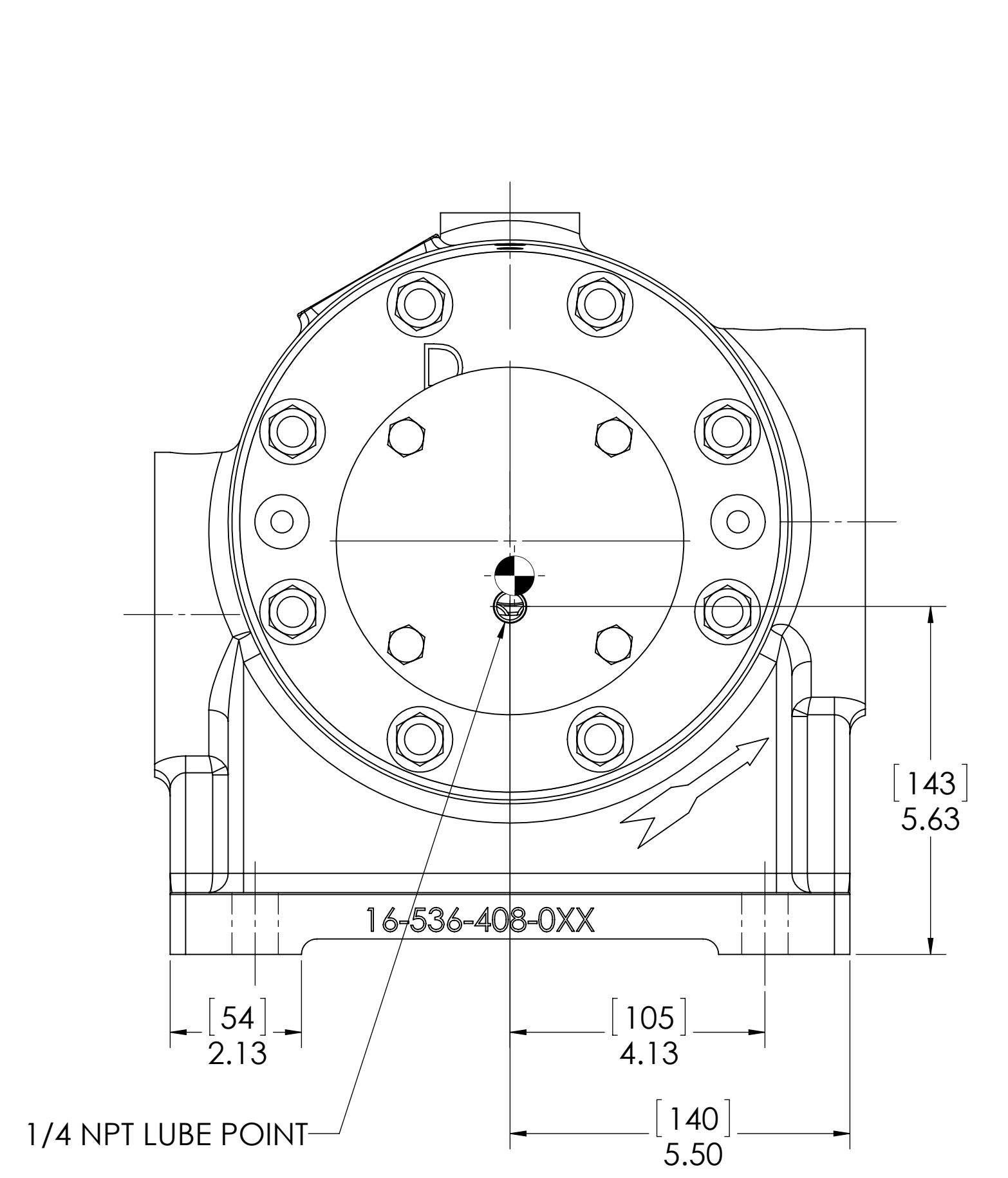
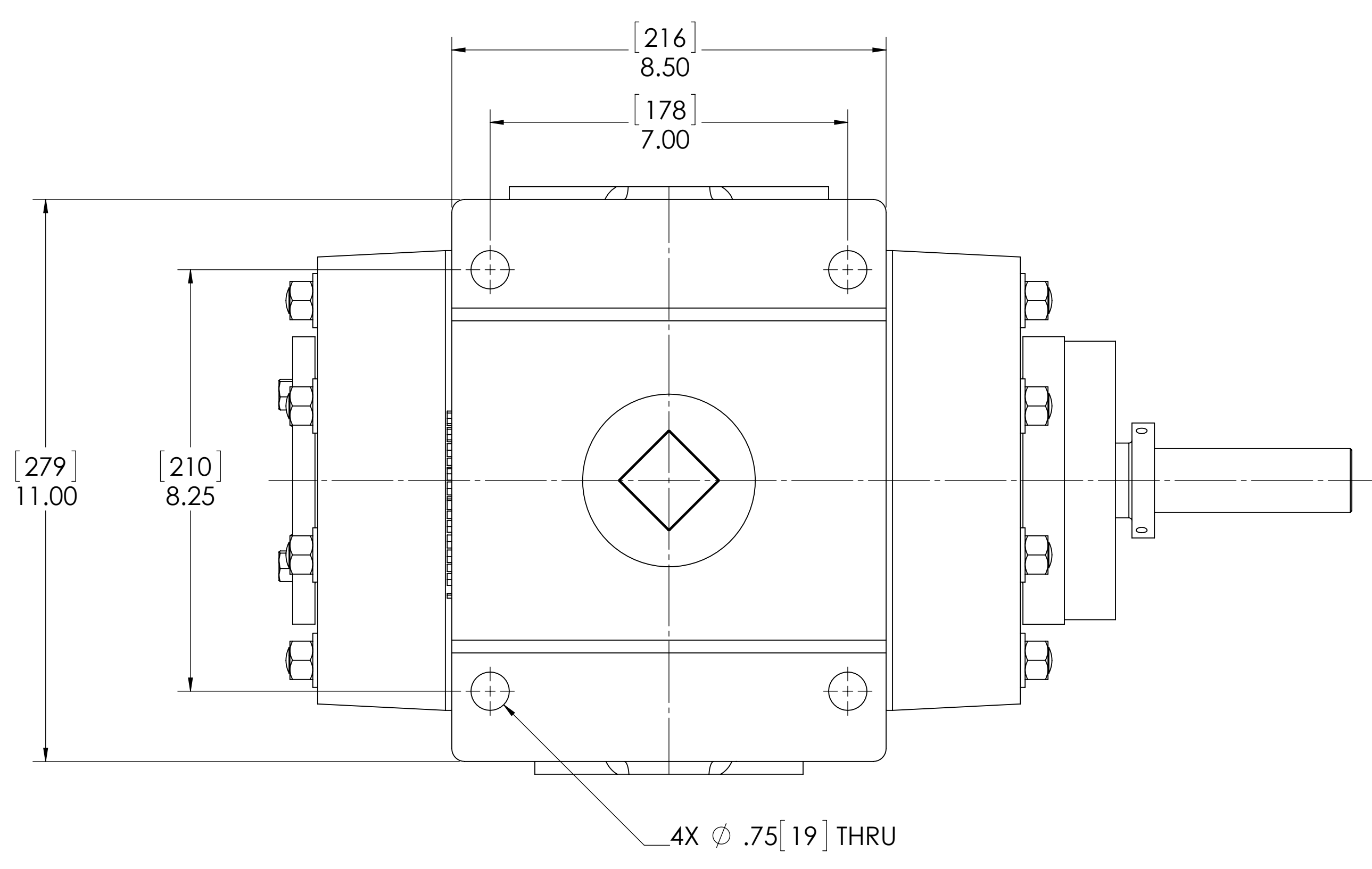


THIS IS A LIFTING HOLE FOR CYLINDER HEAD (MAINTENANCE) ONLY. DO NOT USE THIS HOLE FOR LIFTING COMPRESSOR!



USE EITHER CONNECTION TO SUIT



OIL CONNECTION POINTS SUMMARY		
(REFER TO MANUAL FOR FURTHER INFORMATION)		
DESCRIPTION	THREAD SIZE	QTY
OIL QUILL	1/4 NPT	1
LUBE POINTS	1/4 NPT	4
SEAL SUPPLY	NONE	NONE
SEAL RETURN	NONE	NONE

- NOTES:
- CENTER OF MASS DIMENSIONS ARE APPROXIMATE
  - EITHER WATER INLET MAY BE USED, DEPENDING UPON SYSTEM NEEDS
  - WEIGHT IS APPROXIMATE

UNLESS OTHERWISE SPECIFIED: DIMENSIONS ARE IN INCHES TOLERANCES: ANGULAR: MACH 2 DEG SURFACE FINISH: 125 HOLD PLACE DECIMAL: 1 EGT HOLD PLACE DECIMAL: 1 EGT	<table border="1"> <tr> <th>NAME</th> <th>DATE</th> </tr> <tr> <td>DRAWN: TSS</td> <td>9/17/2014</td> </tr> <tr> <td>CHECKED: TSS</td> <td>9/17/2014</td> </tr> <tr> <td>ENG APPR: BSS</td> <td>9/17/2014</td> </tr> </table>	NAME	DATE	DRAWN: TSS	9/17/2014	CHECKED: TSS	9/17/2014	ENG APPR: BSS	9/17/2014					
NAME	DATE													
DRAWN: TSS	9/17/2014													
CHECKED: TSS	9/17/2014													
ENG APPR: BSS	9/17/2014													
PROPERTY AND COPYRIGHT: THE INFORMATION CONTAINED IN THIS DRAWING IS THE SOLE PROPERTY OF RO-FLO COMPRESSORS, LLC. ANY REPRODUCTION IN PART OR AS A WHOLE WITHOUT THE WRITTEN PERMISSION OF RO-FLO COMPRESSORS, LLC IS PROHIBITED.	<table border="1"> <tr> <th>REV</th> <th>DATE</th> <th>DESCRIPTION</th> </tr> <tr> <td>1</td> <td></td> <td>GENERAL ARRANGEMENT, ACC, SF, CW</td> </tr> <tr> <td>2</td> <td></td> <td>SIZE [PART NO.]</td> </tr> <tr> <td>3</td> <td></td> <td>16-123-633-500 02</td> </tr> </table>	REV	DATE	DESCRIPTION	1		GENERAL ARRANGEMENT, ACC, SF, CW	2		SIZE [PART NO.]	3		16-123-633-500 02	<p>SCALE: 1:2   WEIGHT: 220#   SHEET 1 OF 1</p>
REV	DATE	DESCRIPTION												
1		GENERAL ARRANGEMENT, ACC, SF, CW												
2		SIZE [PART NO.]												
3		16-123-633-500 02												