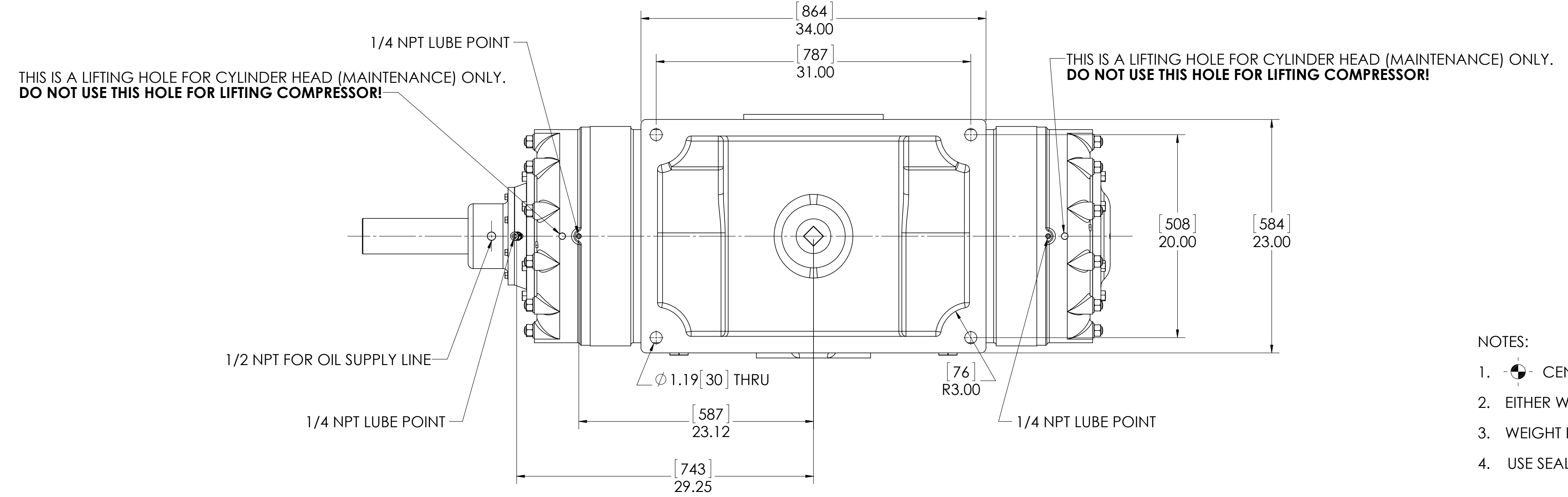


USE EITHER CONNECTION TO SUIT



- NOTES:
- CENTER OF MASS DIMENSIONS ARE APPROXIMATE
  - EITHER WATER INLET MAY BE USED, DEPENDING UPON SYSTEM NEEDS
  - WEIGHT IS APPROXIMATE
  - USE SEAL OIL RETURN PORT AS SHOWN IN TOP VIEW

OIL CONNECTION POINTS SUMMARY		
(REFER TO MANUAL FOR FURTHER INFORMATION)		
DESCRIPTION	THREAD SIZE	QTY
OIL QUILL	1/4 NPT	1
LUBE POINTS	1/4 NPT	8
SEAL SUPPLY	1/2 NPT	1
SEAL RETURN (SEE NOTE 4)	1/2 NPT	2 ( ONLY USE 1)

UNLESS OTHERWISE SPECIFIED: DIMENSIONS ARE IN INCHES TOLERANCES: ANGULAR: MACH 3 DEG SURFACE FINISH: 125 HOLE PLACE DECIMAL 1 1/2 HOLE PLACE DECIMAL 1/16	<table border="1"> <tr> <th>NAME</th> <th>DATE</th> </tr> <tr> <td>DRAWN: TBF</td> <td>11/27/2013</td> </tr> <tr> <td>CHECKED: TSS</td> <td>11/27/2013</td> </tr> <tr> <td>ENG APPR: BJS</td> <td>11/27/2013</td> </tr> </table>	NAME	DATE	DRAWN: TBF	11/27/2013	CHECKED: TSS	11/27/2013	ENG APPR: BJS	11/27/2013	
NAME	DATE									
DRAWN: TBF	11/27/2013									
CHECKED: TSS	11/27/2013									
ENG APPR: BJS	11/27/2013									
PROPERTY AND COPYRIGHT: UNLESS OTHERWISE SPECIFIED: THIS DRAWING IS THE SOLE PROPERTY OF RO-FLO COMPRESSORS, LLC. ALL REPRODUCTION IN PART OR AS A WHOLE WITHOUT THE WRITTEN PERMISSION OF RO-FLO COMPRESSORS, LLC IS PROHIBITED.	<table border="1"> <tr> <th>SIZE</th> <th>PART NO.</th> <th>REV</th> </tr> <tr> <td>E</td> <td>16-123-633-431</td> <td>07</td> </tr> </table>	SIZE	PART NO.	REV	E	16-123-633-431	07	<p>GA,17L,DBS,CCW</p> <p>SCALE: 1:6   WEIGHT: 4450#   SHEET 1 OF 1</p>		
SIZE	PART NO.	REV								
E	16-123-633-431	07								