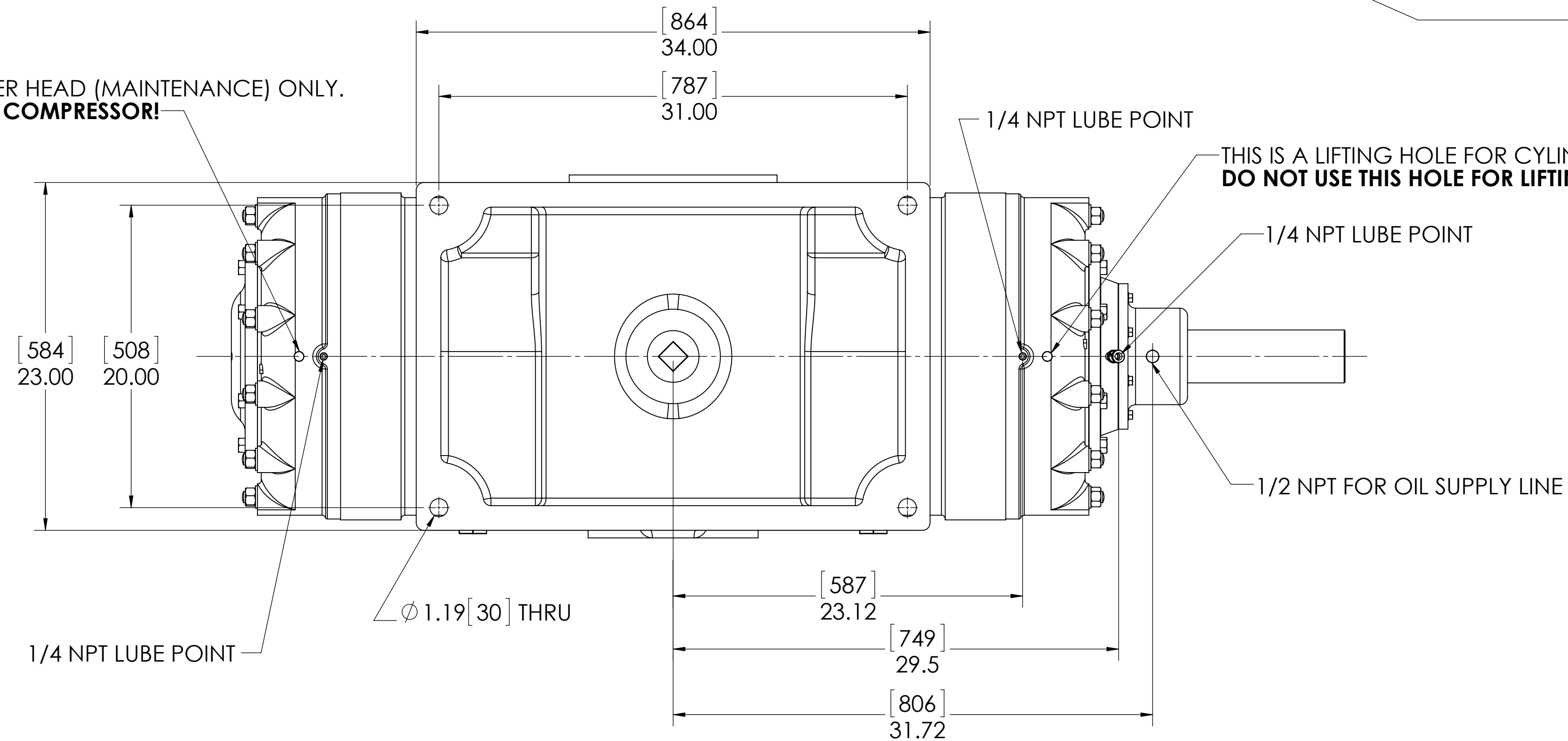


THIS IS A LIFTING HOLE FOR CYLINDER HEAD (MAINTENANCE) ONLY. DO NOT USE THIS HOLE FOR LIFTING COMPRESSOR!



THIS IS A LIFTING HOLE FOR CYLINDER HEAD (MAINTENANCE) ONLY. DO NOT USE THIS HOLE FOR LIFTING COMPRESSOR!

USE EITHER CONNECTION TO SUIT

NOTES:

1. CENTER OF MASS DIMENSIONS ARE APPROXIMATE
2. EITHER WATER INLET MAY BE USED, DEPENDING UPON SYSTEM NEEDS
3. WEIGHT IS APPROXIMATE
4. USE SEAL OIL RETURN PORT AS SHOWN IN TOP VIEW

OIL CONNECTION POINTS SUMMARY		
(REFER TO MANUAL FOR FURTHER INFORMATION)		
DESCRIPTION	THREAD SIZE	QTY
OIL QUILL	1/4 NPT	1
LUBE POINTS	1/4 NPT	8
SEAL SUPPLY	1/2 NPT	1
SEAL RETURN (SEE NOTE 4)	1/2 NPT	2 (ONLY USE 1)

UNLESS OTHERWISE SPECIFIED: DIMENSIONS ARE IN INCHES TOLERANCES: ANGULAR: MACH 2 DEG SURFACE FINISH: 125 THREADS PER INCH: 11.81 HOLE FINISH: 320	<table border="1"> <tr> <th>NAME</th> <th>DATE</th> </tr> <tr> <td>DRAWN: TBF</td> <td>12/4/2013</td> </tr> <tr> <td>CHECKED: TSS</td> <td>12/4/2013</td> </tr> <tr> <td>ENG APPR: BJS</td> <td>12/4/2013</td> </tr> </table>	NAME	DATE	DRAWN: TBF	12/4/2013	CHECKED: TSS	12/4/2013	ENG APPR: BJS	12/4/2013	
NAME	DATE									
DRAWN: TBF	12/4/2013									
CHECKED: TSS	12/4/2013									
ENG APPR: BJS	12/4/2013									
PROPERTY AND COPYRIGHT: THE INFORMATION CONTAINED IN THIS DRAWING IS THE SOLE PROPERTY OF RO-FLO COMPRESSORS, LLC. ANY REPRODUCTION IN PART OR AS A WHOLE WITHOUT THE WRITTEN PERMISSION OF RO-FLO COMPRESSORS, LLC IS PROHIBITED.	TITLE: GENERAL ARRANGEMENT, 17L DBS CW SIZE: PART NO. 16-123-633-411 REV: 08	SCALE: 1:6 WEIGHT: 4450# SHEET 1 OF 1								