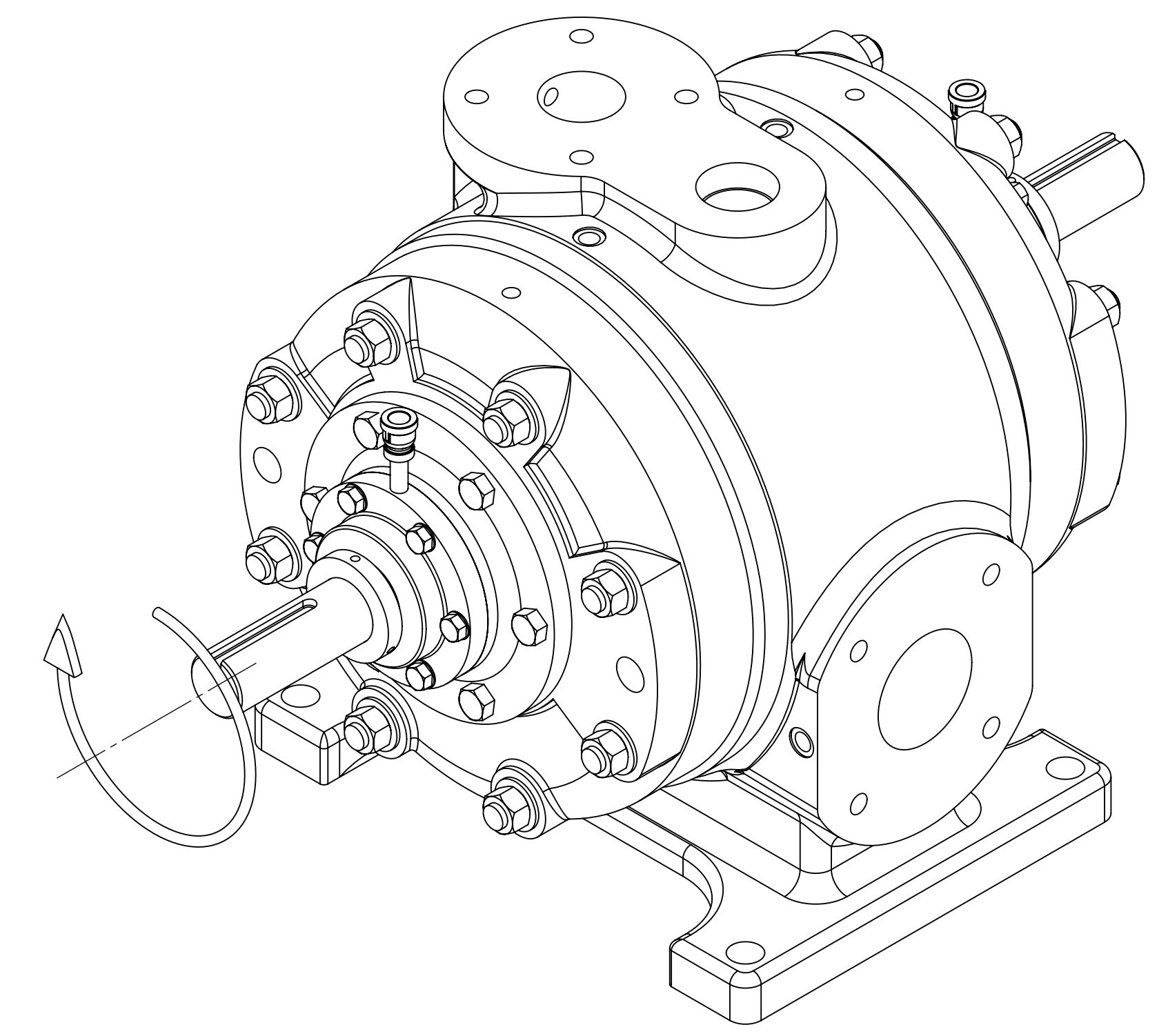
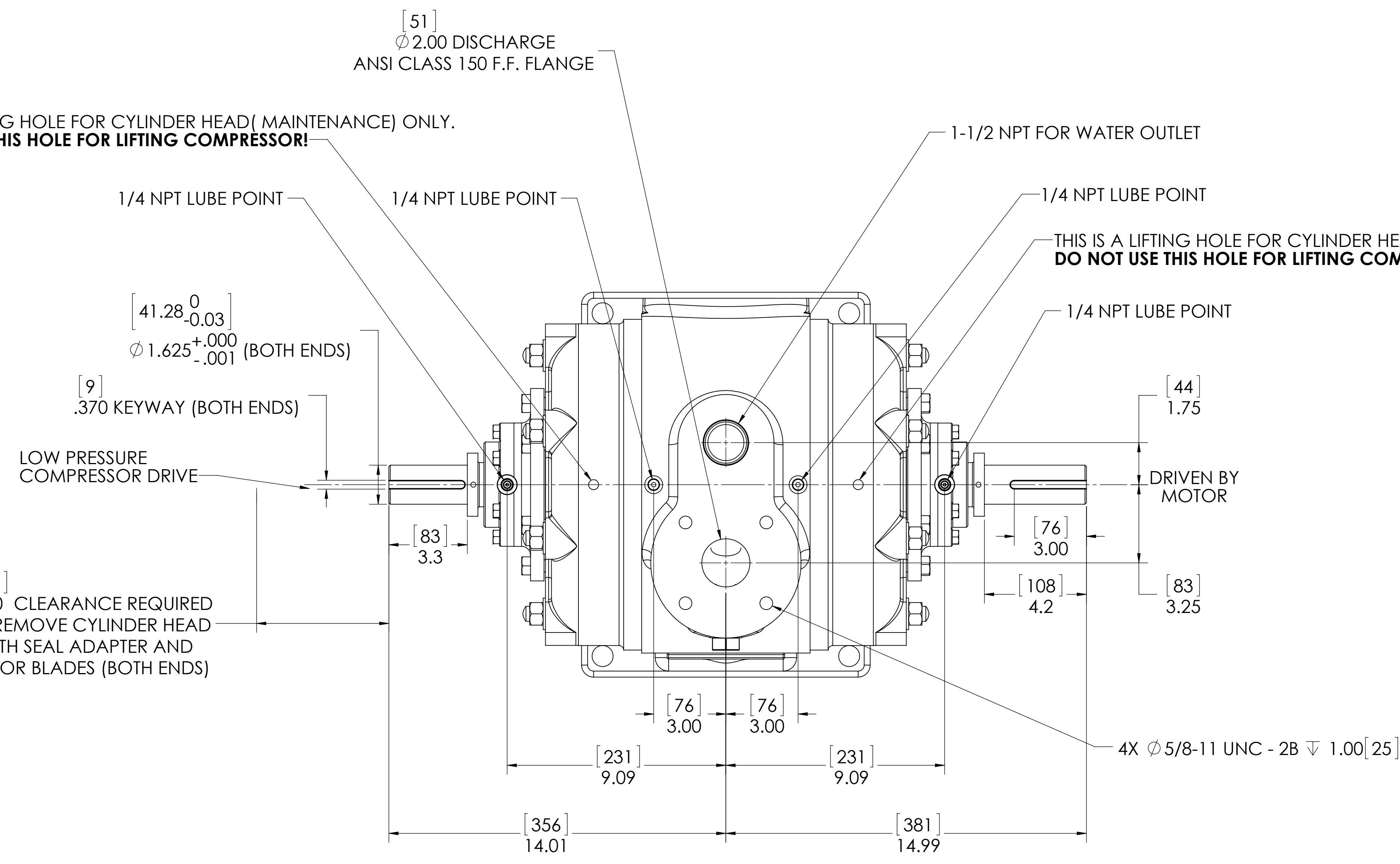
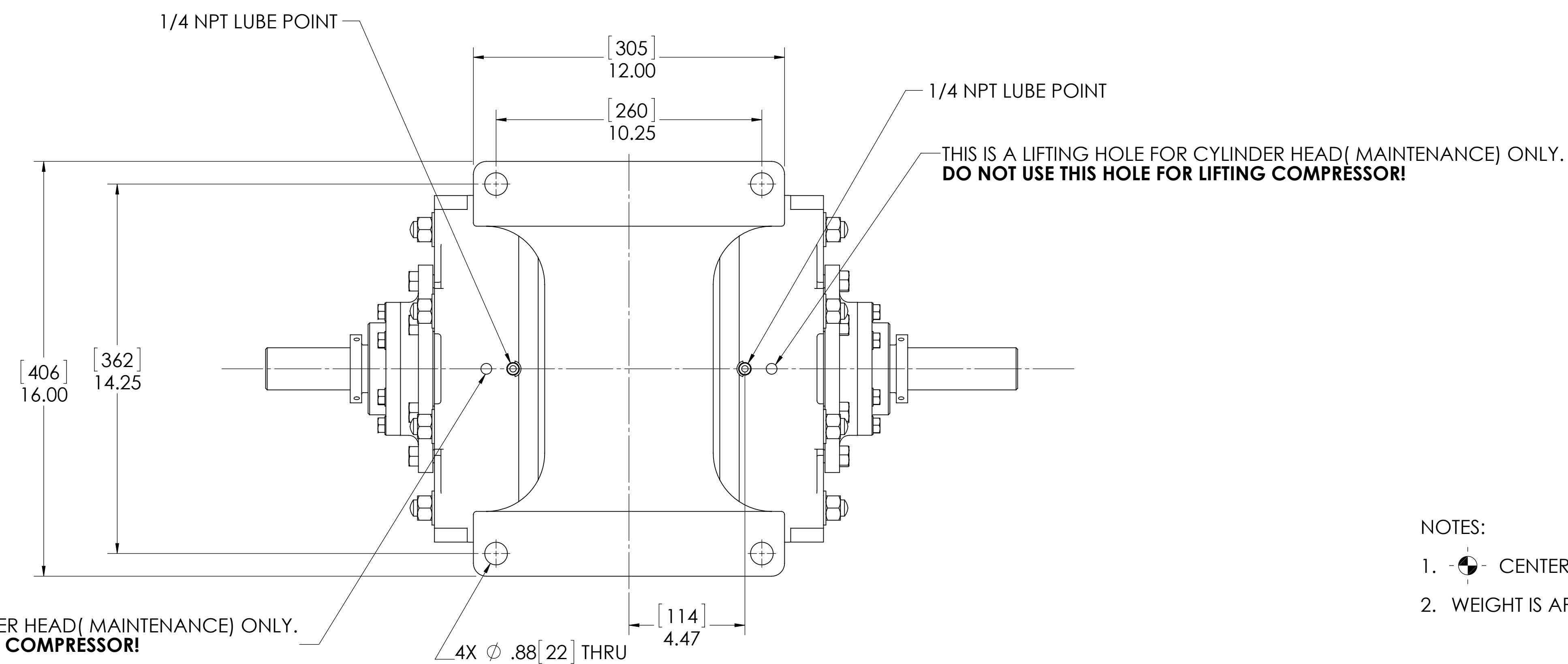
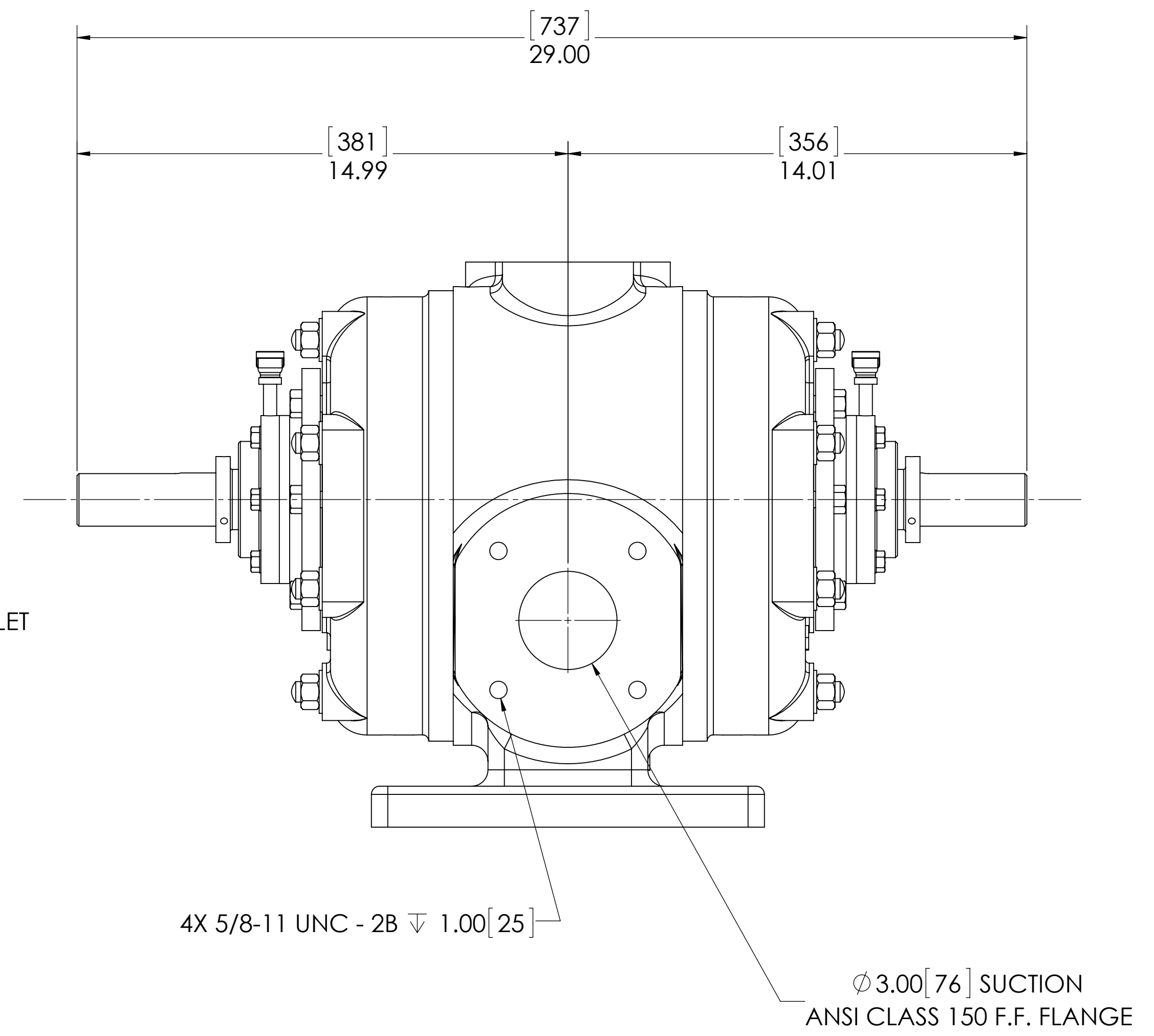
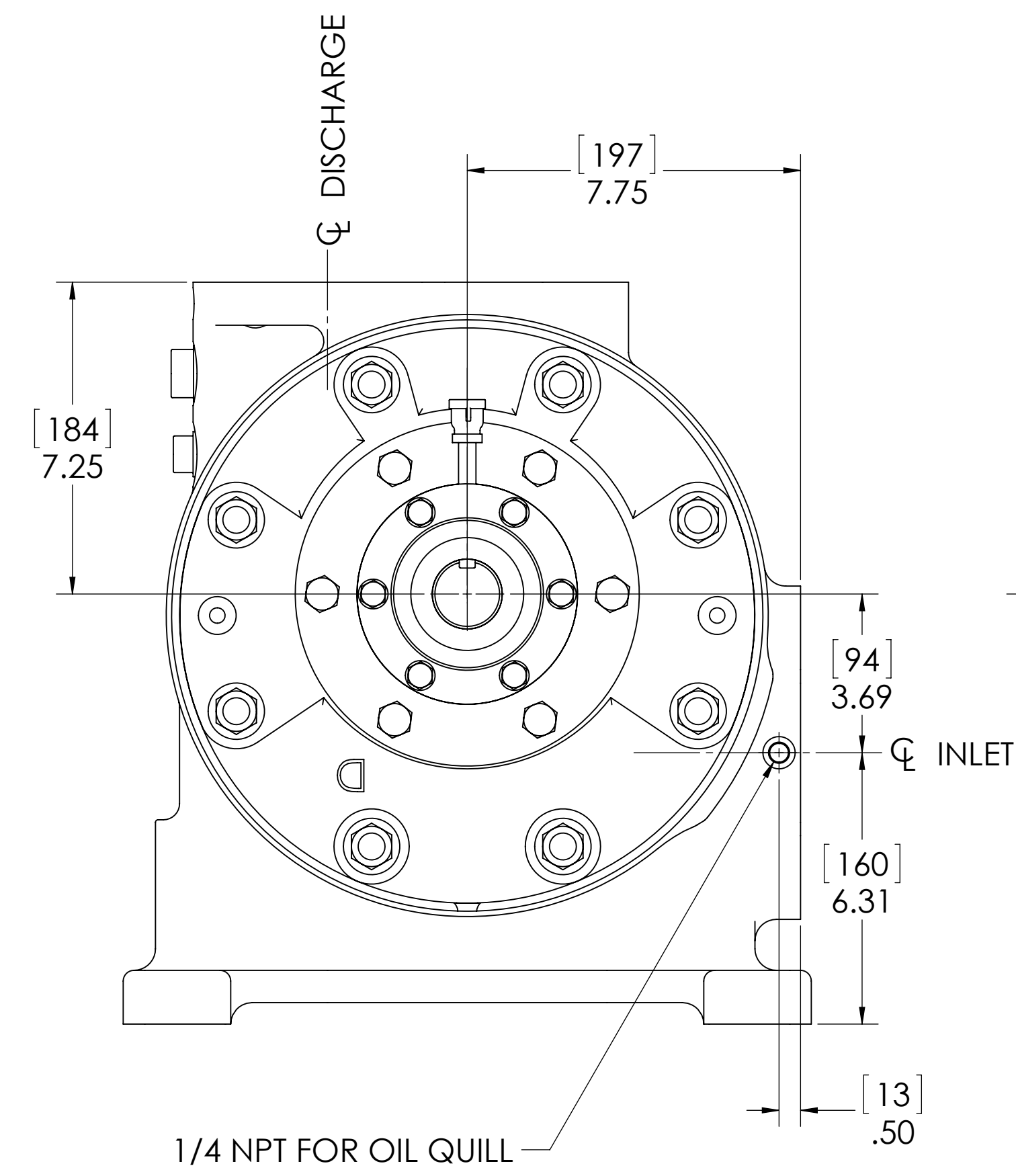
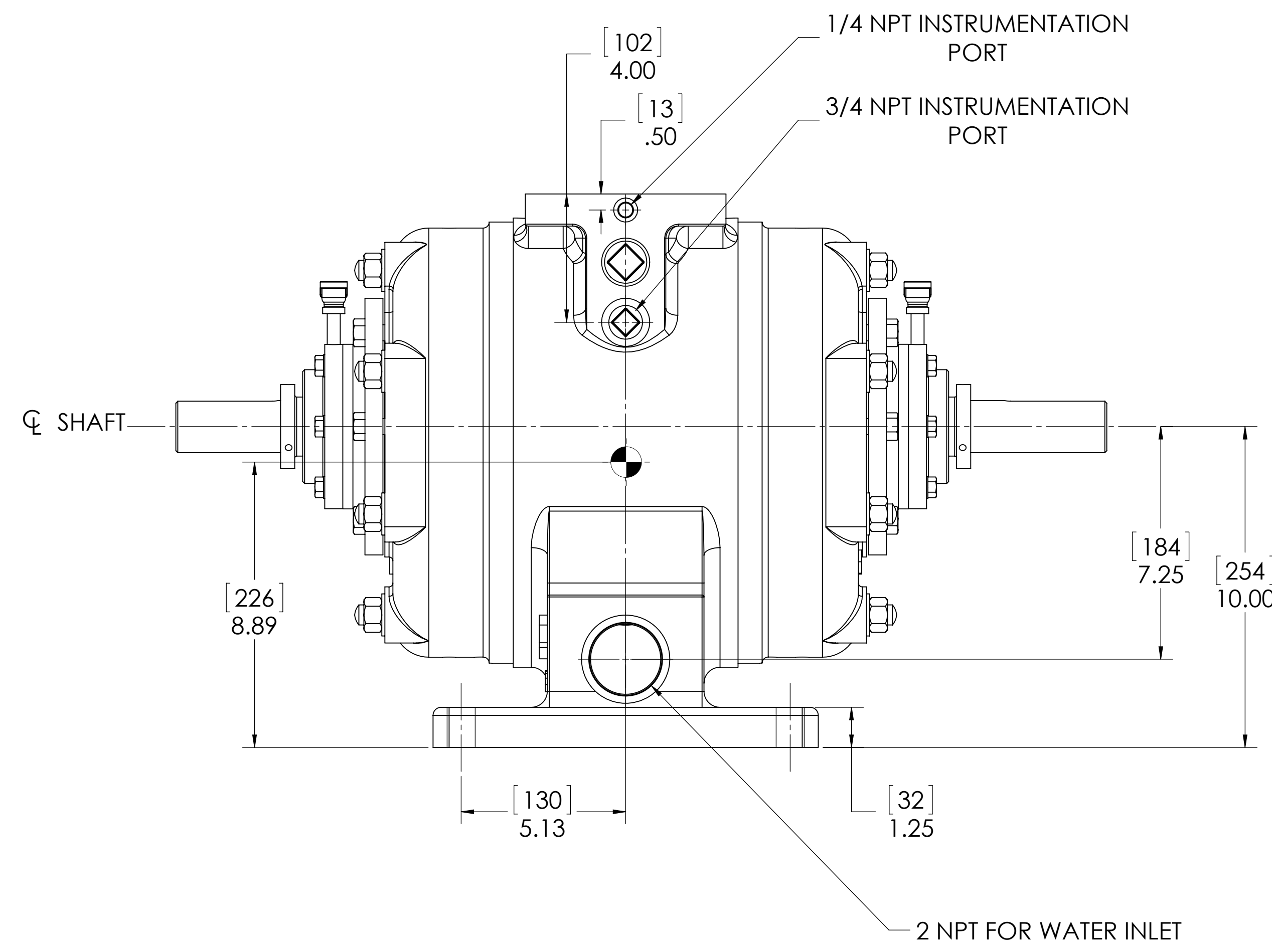
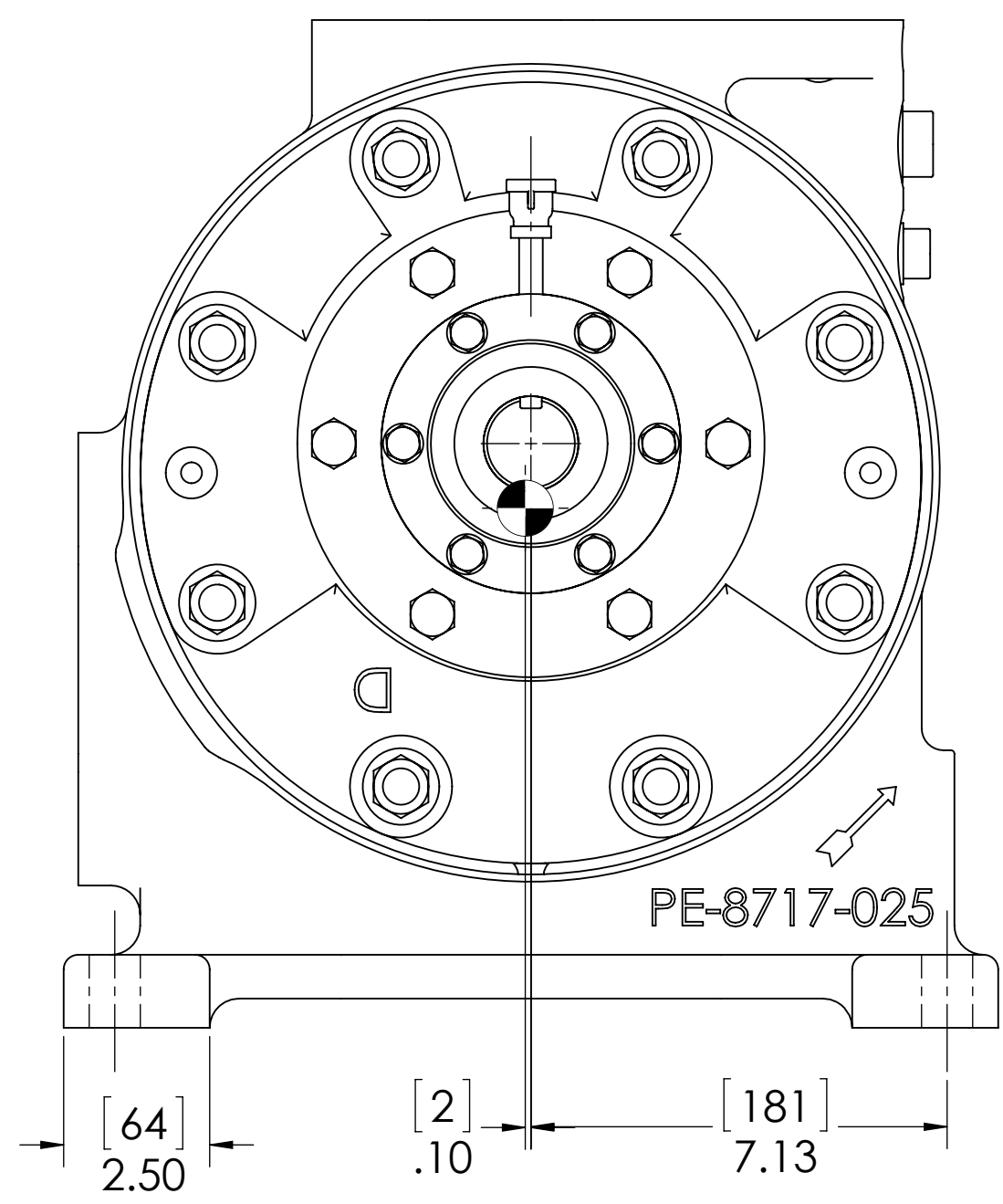


THIS IS A LIFTING HOLE FOR CYLINDER HEAD( MAINTENANCE) ONLY.  
DO NOT USE THIS HOLE FOR LIFTING COMPRESSOR!



[140] 5.50 CLEARANCE REQUIRED TO REMOVE CYLINDER HEAD WITH SEAL ADAPTER AND ROTOR BLADES (BOTH ENDS)



THIS IS A LIFTING HOLE FOR CYLINDER HEAD( MAINTENANCE) ONLY.  
DO NOT USE THIS HOLE FOR LIFTING COMPRESSOR!

NOTES:

1. CENTER OF MASS DIMENSIONS ARE APPROXIMATE
2. WEIGHT IS APPROXIMATE

OIL CONNECTION POINTS SUMMARY		
(REFER TO MANUAL FOR FURTHER INFORMATION)		
DESCRIPTION	THREAD SIZE	QTY
OIL QUILL	1/4 NPT	1
LUBE POINTS	1/4 NPT	6
SEAL SUPPLY	NONE	NONE
SEAL RETURN	NONE	NONE

UNLESS OTHERWISE SPECIFIED: DIMENSIONS ARE IN INCHES TOLERANCES: ANGULAR: MACH 2 DEG SURFACE FINISH: 125 HOLE PLACE DECIMAL 1 1/2 HOLE PLACE DECIMAL 1/16	NAME: [ ] DATE: 2/3/2015 DRAWN: [ ] CHECKED: [ ] ENG APPR: [ ] DATE: 2/3/2015	
PROPERTY AND COPYRIGHT: UNLESS OTHERWISE SPECIFIED: THIS INFORMATION CONTAINED IN THIS DRAWING IS THE SOLE PROPERTY OF RO-FLO COMPRESSORS, LLC. ANY REPRODUCTION IN PART OR AS A WHOLE WITHOUT THE WRITTEN PERMISSION OF RO-FLO COMPRESSORS, LLC IS PROHIBITED.	TITLE: GENERAL ARRANGEMENT 206 SF CW-DOUBLE SHAFT EXT. SIZE: [ ] PART NO.: 16-123-618-510 REV: 05 SCALE: 1:3 DRAWING NO.: 590# SHEET: 1 OF 1	