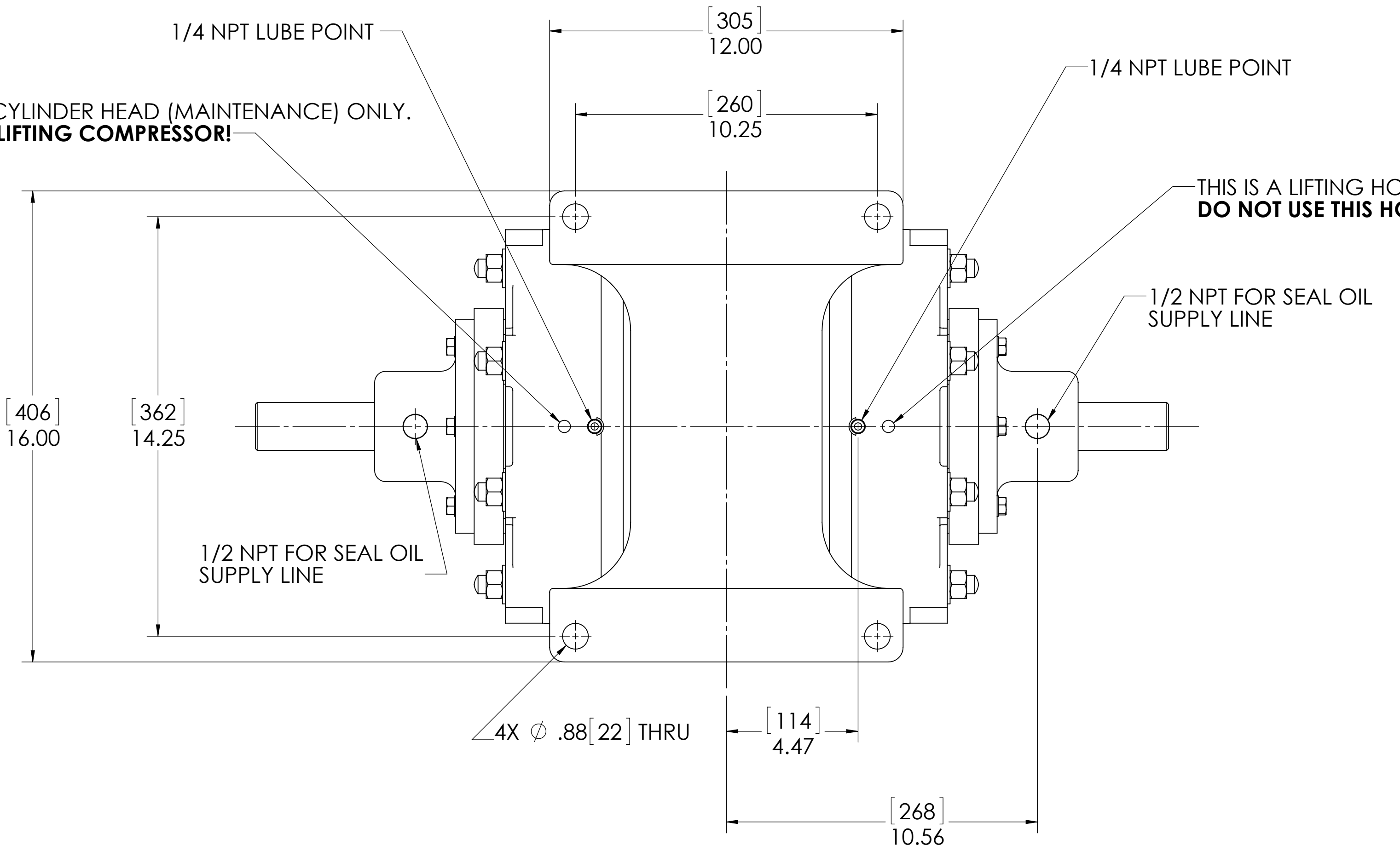
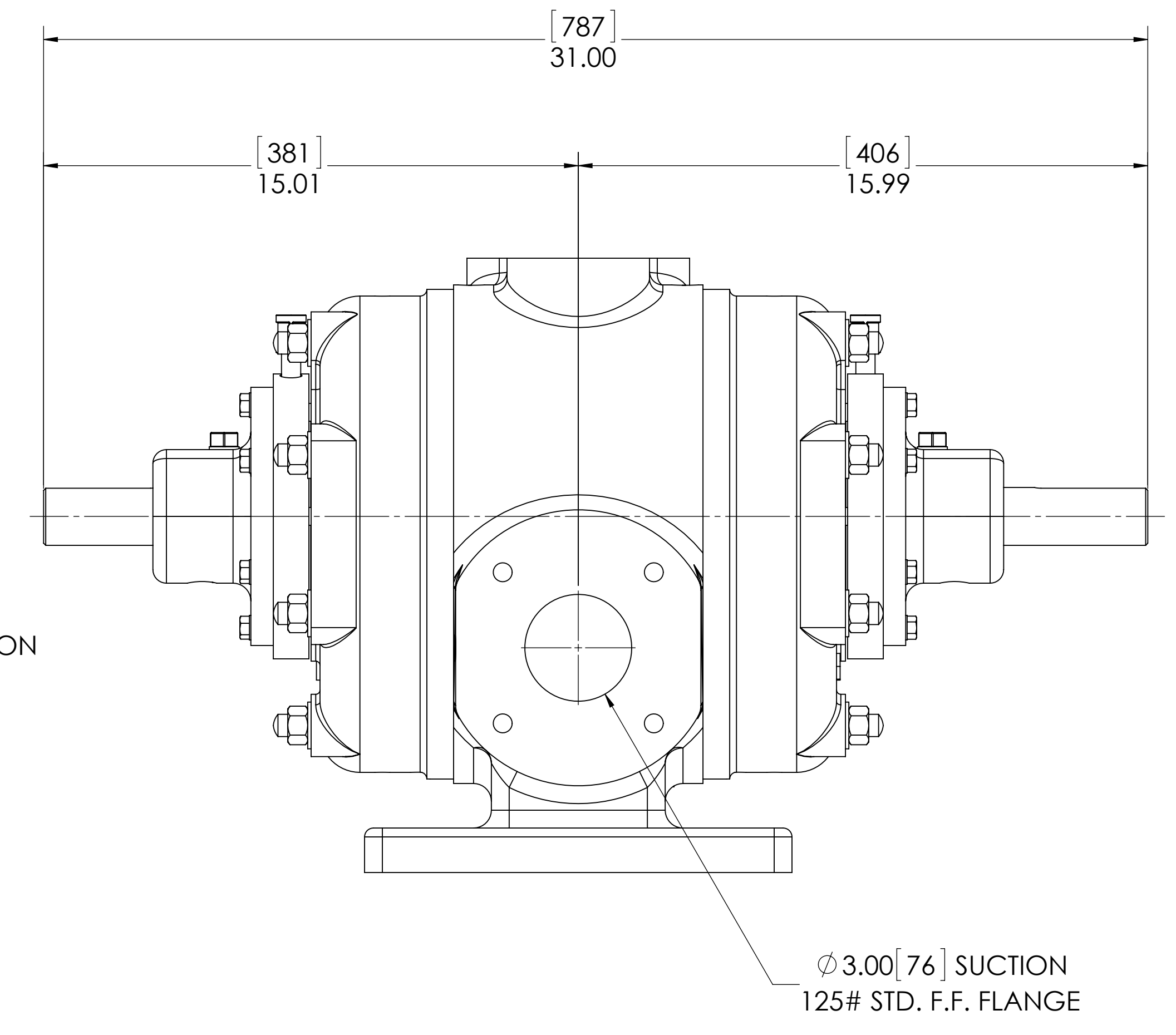
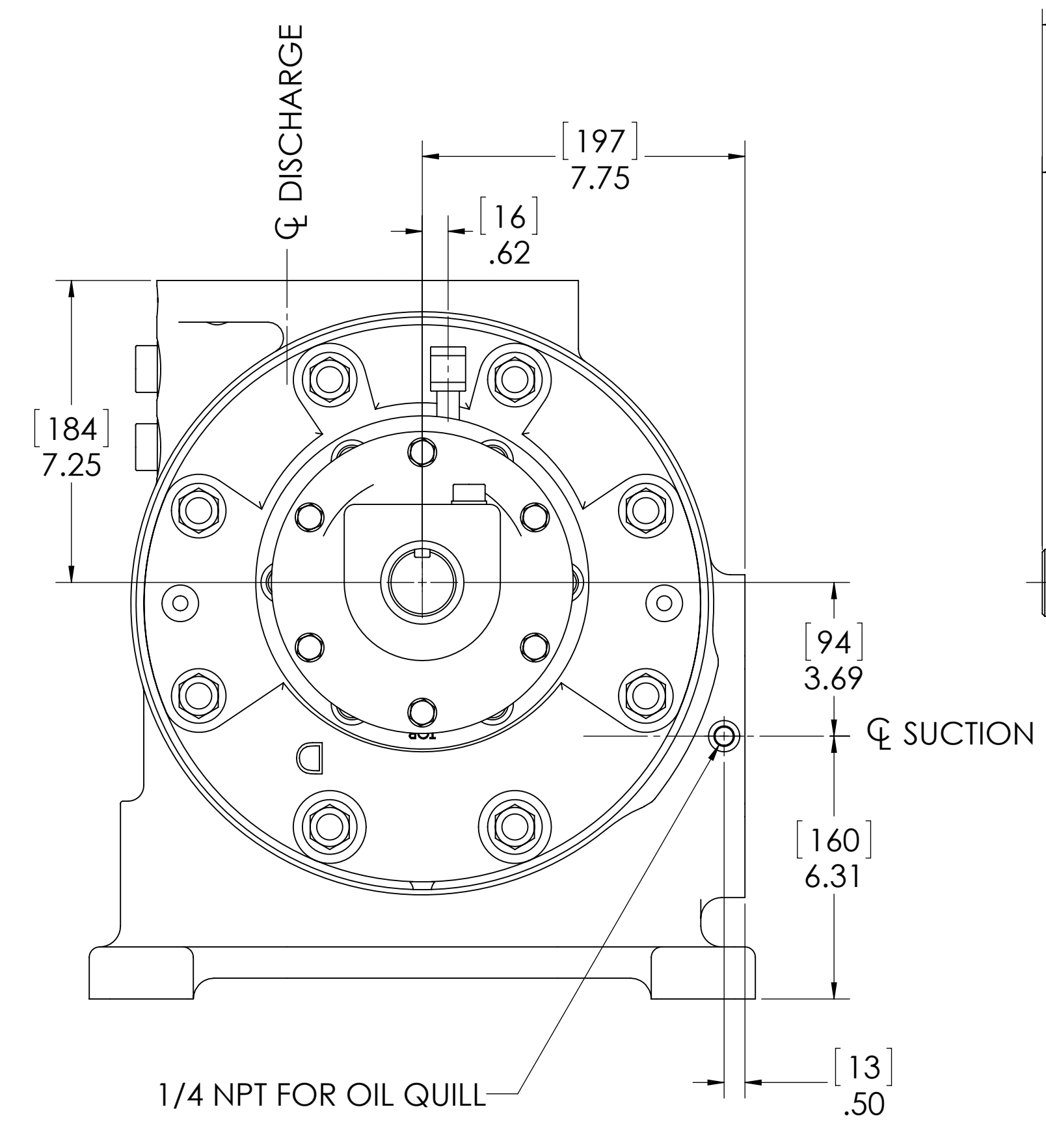
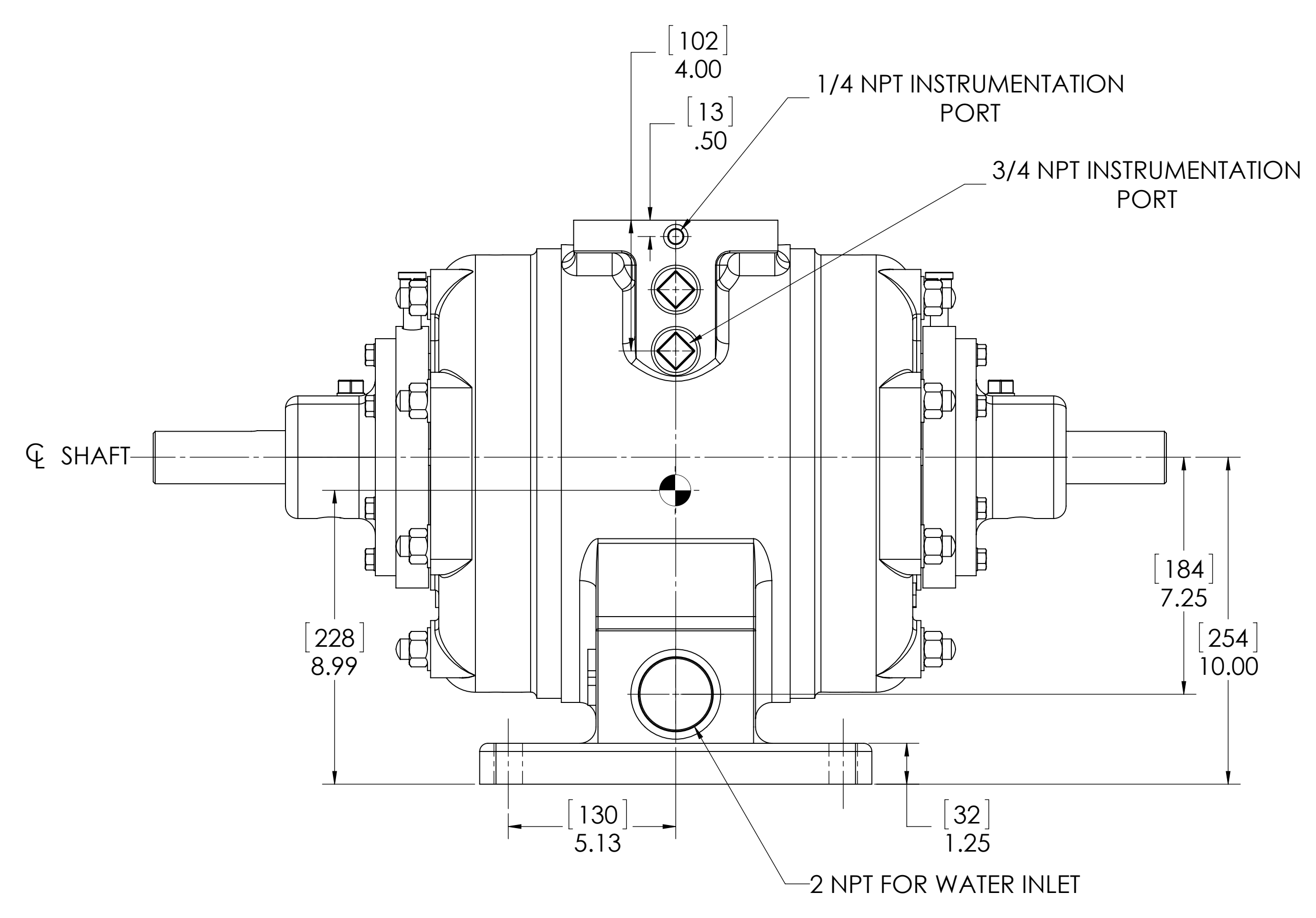
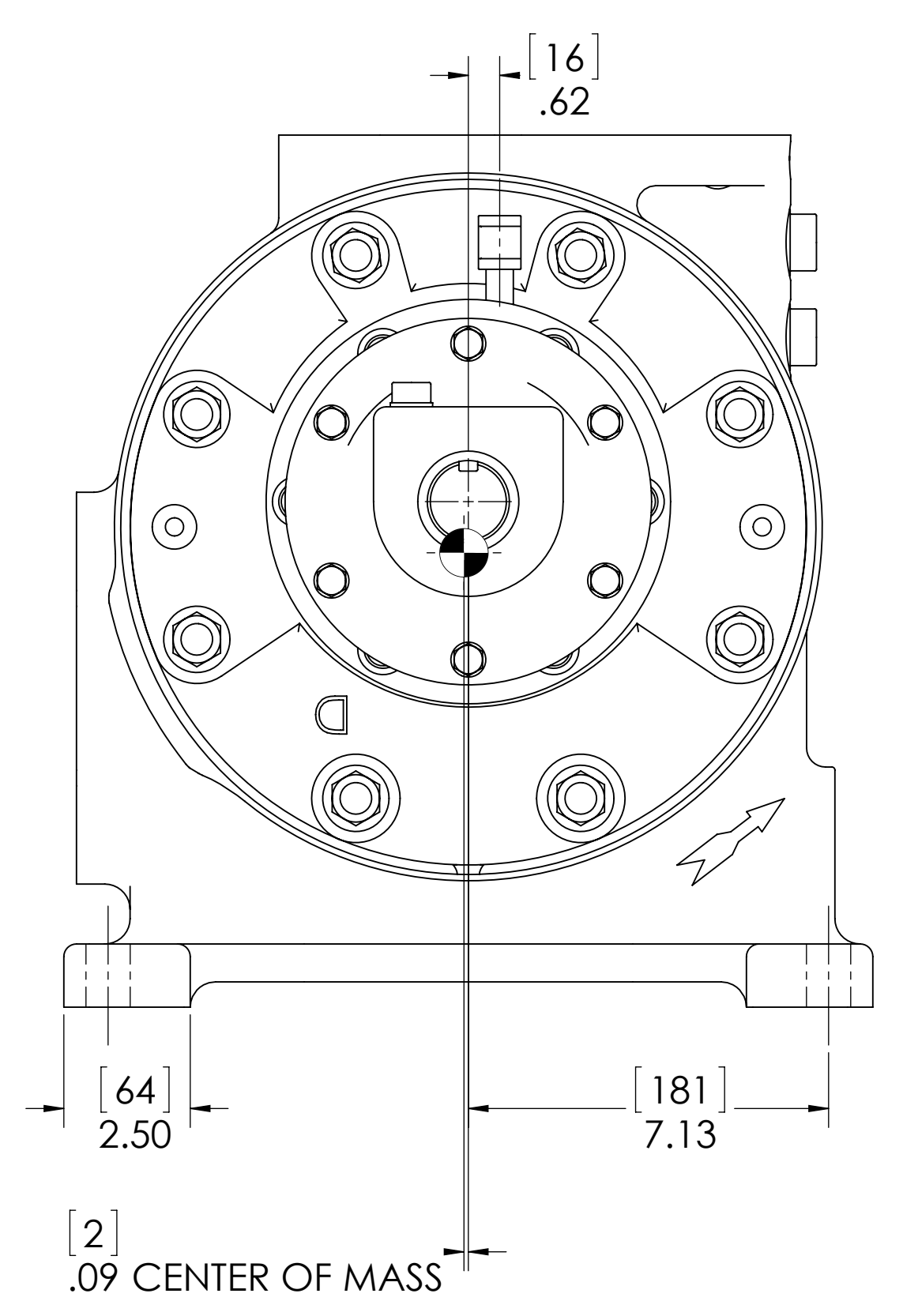
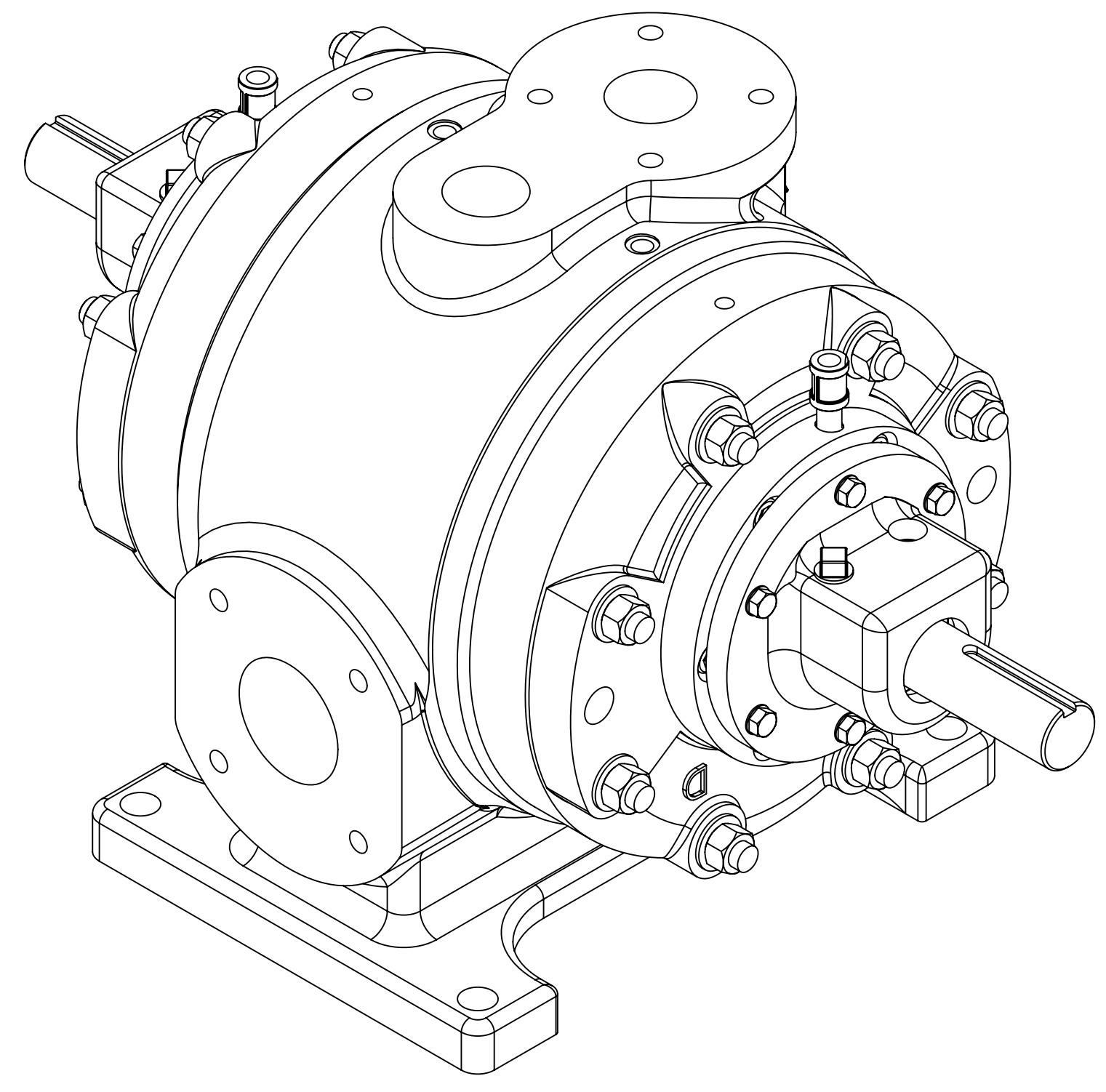
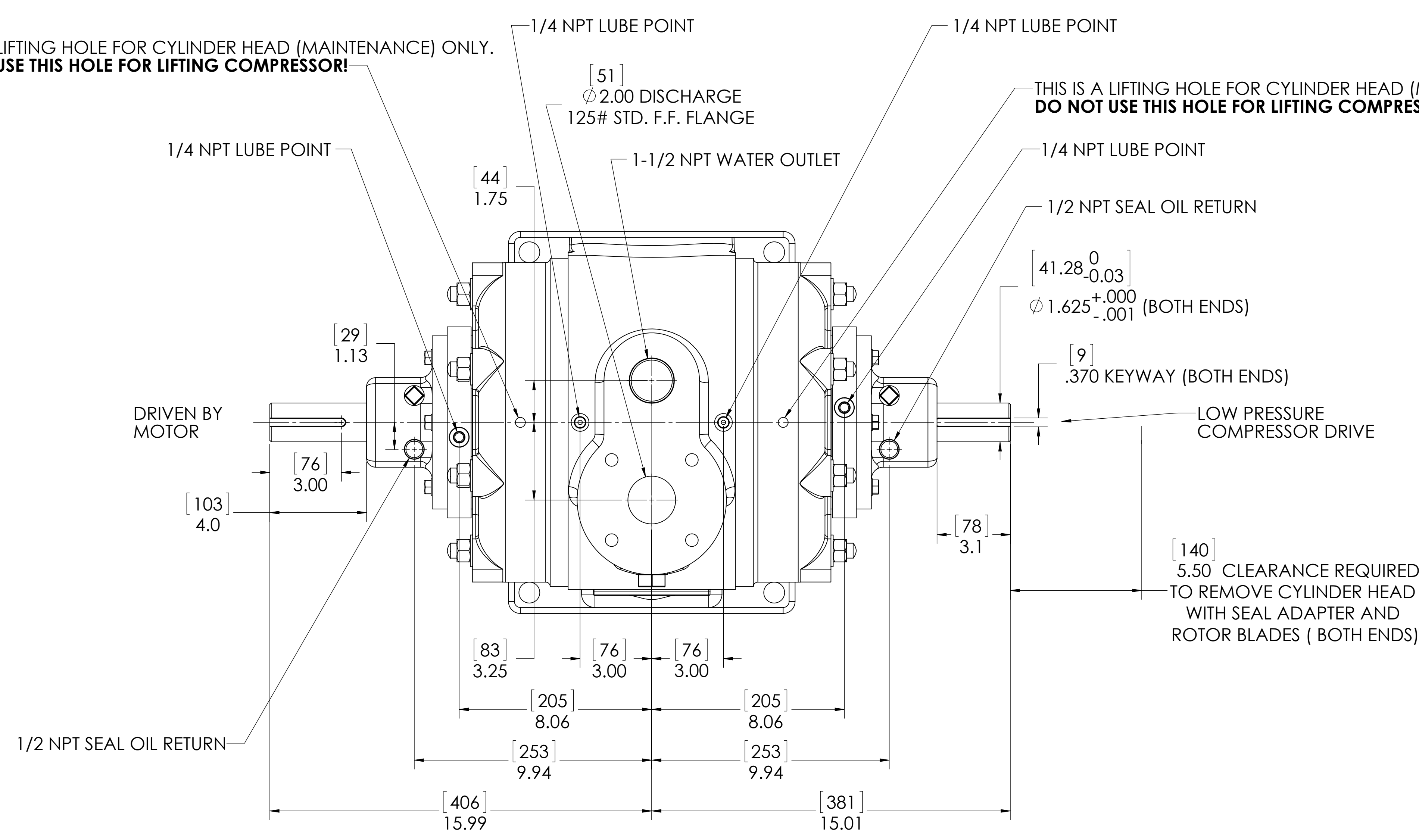


THIS IS A LIFTING HOLE FOR CYLINDER HEAD (MAINTENANCE) ONLY.
DO NOT USE THIS HOLE FOR LIFTING COMPRESSOR!

THIS IS A LIFTING HOLE FOR CYLINDER HEAD (MAINTENANCE) ONLY.
DO NOT USE THIS HOLE FOR LIFTING COMPRESSOR!



OIL CONNECTION POINTS SUMMARY		
(REFER TO MANUAL FOR FURTHER INFORMATION)		
DESCRIPTION	THREAD SIZE	QTY
OIL QUILL	1/4 NPT	1
LUBE POINTS	1/4 NPT	6
SEAL SUPPLY	1/2 NPT	2
SEAL RETURN (SEE NOTE 3)	1/2 NPT	4 (ONLY USE 2)

- NOTES:
- CENTER OF MASS DIMENSIONS ARE APPROXIMATE
 - WEIGHT IS APPROXIMATE
 - USE SEAL OIL RETURN PORTS AS SHOWN IN TOP VIEW

UNLESS OTHERWISE SPECIFIED: DIMENSIONS ARE IN INCHES TOLERANCES: ANGULAR: MACH 2 DEG SURFACE FINISH: 125 THREADS PER INCH: 11.8 HOLE FINISH: 125 HOLE FINISH: 125	<table border="1"> <tr> <th>NAME</th> <th>DATE</th> </tr> <tr> <td>DESIGNED</td> <td>4/1/2014</td> </tr> <tr> <td>CHECKED</td> <td>4/1/2014</td> </tr> <tr> <td>ENG APPR</td> <td>4/1/2014</td> </tr> </table>	NAME	DATE	DESIGNED	4/1/2014	CHECKED	4/1/2014	ENG APPR	4/1/2014	<p>Ro-Flo Compressors, LLC</p>
NAME	DATE									
DESIGNED	4/1/2014									
CHECKED	4/1/2014									
ENG APPR	4/1/2014									
PROPERTY AND CONFIDENTIALITY NOTICE: THIS DRAWING IS THE PROPERTY OF RO-FLO COMPRESSORS, LLC. ALL RIGHTS ARE RESERVED. NO PART OF THIS DRAWING IS TO BE REPRODUCED OR TRANSMITTED IN ANY FORM OR BY ANY MEANS, ELECTRONIC OR MECHANICAL, WITHOUT THE WRITTEN PERMISSION OF RO-FLO COMPRESSORS, LLC. © 2014	<table border="1"> <tr> <th>SIZE</th> <th>PART NO.</th> <th>REV</th> </tr> <tr> <td>E</td> <td>16-123-618-500</td> <td>08</td> </tr> </table>	SIZE	PART NO.	REV	E	16-123-618-500	08	<p>GA 206 DBS CCW-DOUBLE SHAFT EXT.</p> <p>SCALE: 1:3 WEIGHT: 590# SHEET 1 OF 1</p>		
SIZE	PART NO.	REV								
E	16-123-618-500	08								